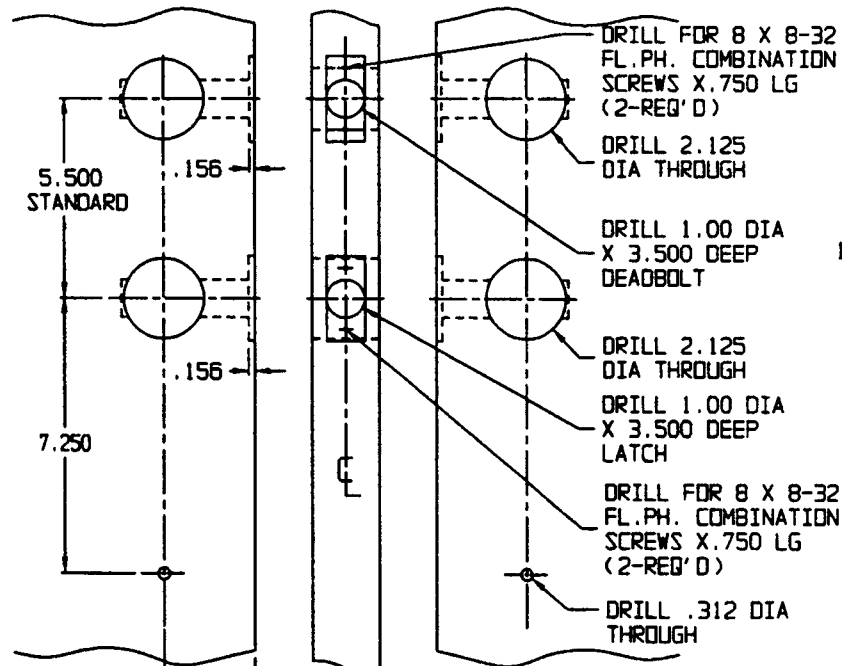
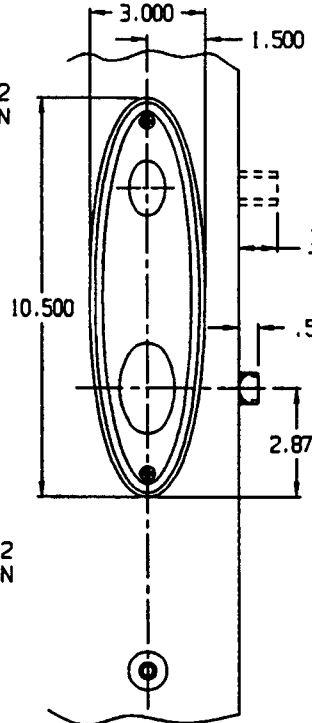


# DOOR DETAIL

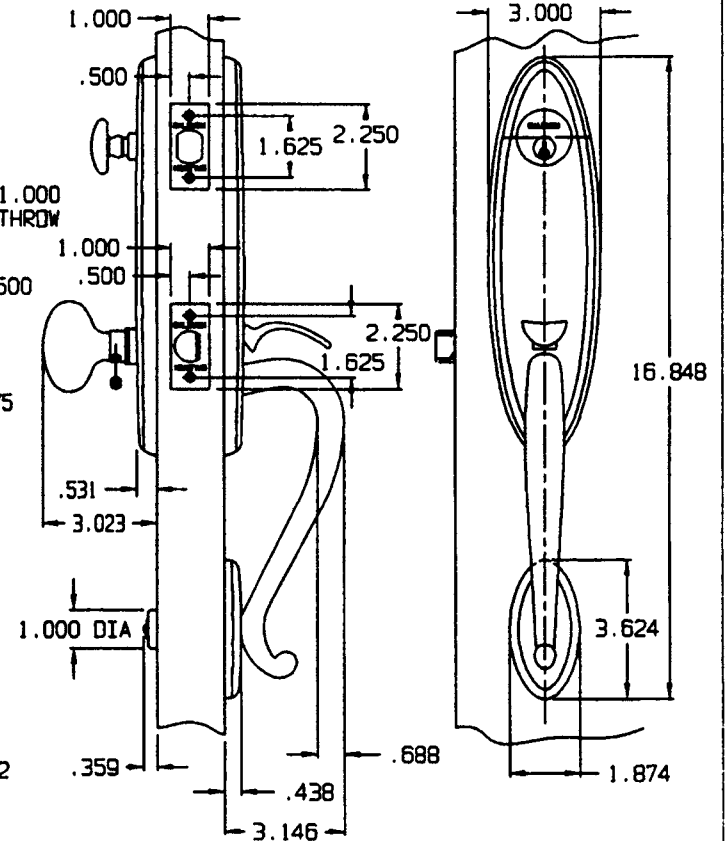


# INSIDE

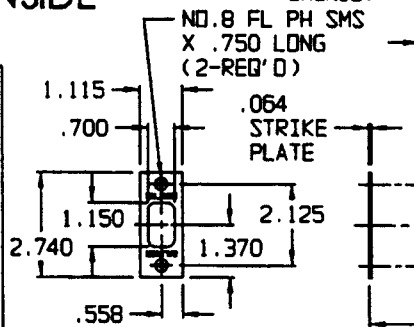


# TRIM DETAIL

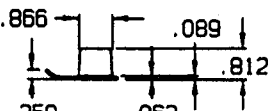
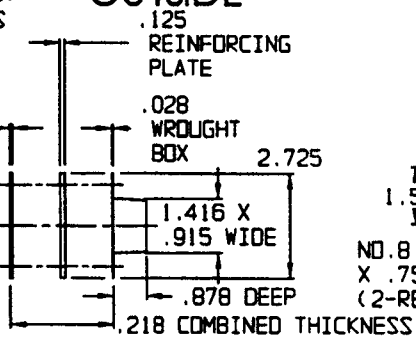
RENT ILLUSTRATED



# INSIDE



# OUTSIDE



NO. 8 FL PH SMS  
X .750 LONG  
(2-REQ' D)

LATCH STRIKE & WROUGHT BOX DETAIL

DO NOT SCALE DRAWING

**BALDWIN**

5360 ENTR

TEMPLATE NO. VARIATIONS

TEMPLATE NO.

© 1998 BY BALDWIN HARDWARE CORPORATION

IM040

EFFECTIVE: 3-20-98

DEADBOLT STRIKE, REINFORCEMENT PLATE, & WROUGHT BOX DETAIL