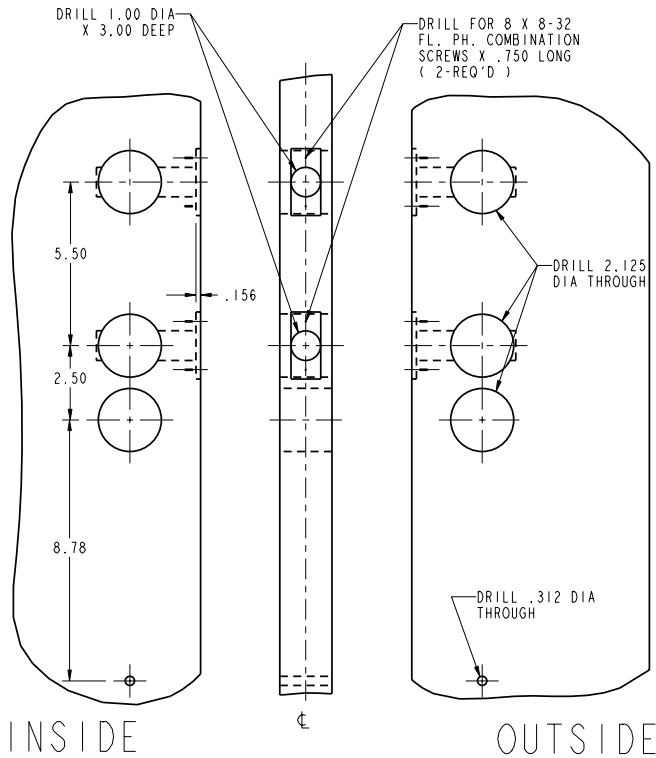
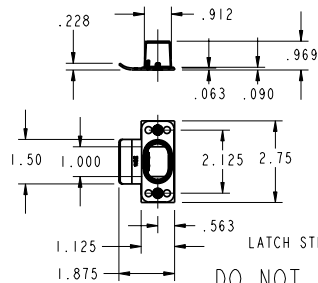
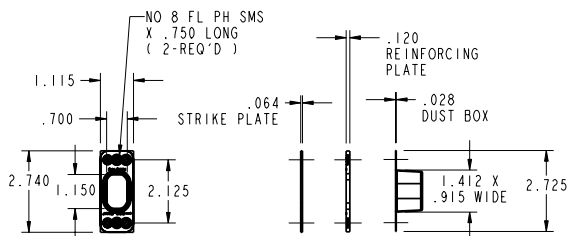
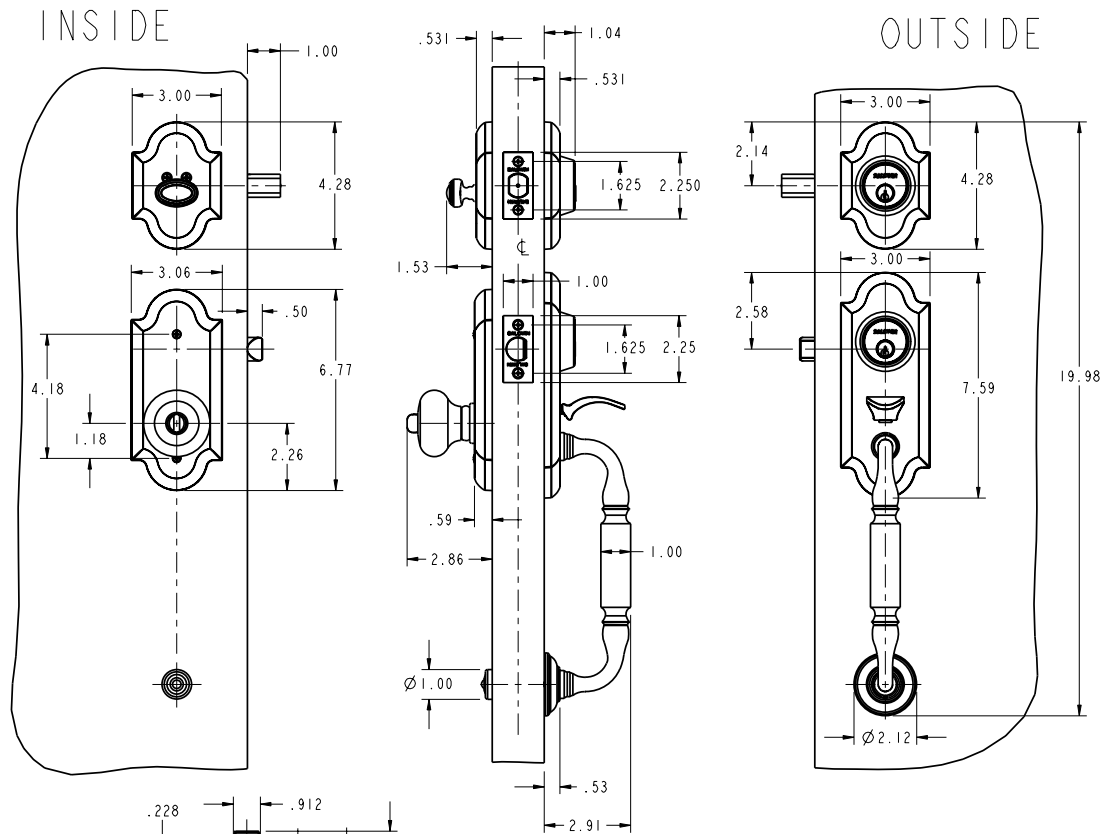


DOOR DETAIL



TRIM DETAIL



DEADBOLT STRIKE, REINFORCEMENT PLATE, & DUST BOX DETAIL

LATCH STRIKE & DUST BOX DETAIL
DO NOT SCALE DRAWING

	BALDWIN HARDWARE CORPORATION <small>READING, PENNSYLVANIA</small>	BLACK & DECKER COMPANY
	5365-2ENT ASHTON KNOB	
TEMPLATE: NO VARIATIONS		TEMPLATE NO.
©2006 BY BALDWIN HARDWARE CORPORATION		IM365KN

EFFECTIVE 02/14/07