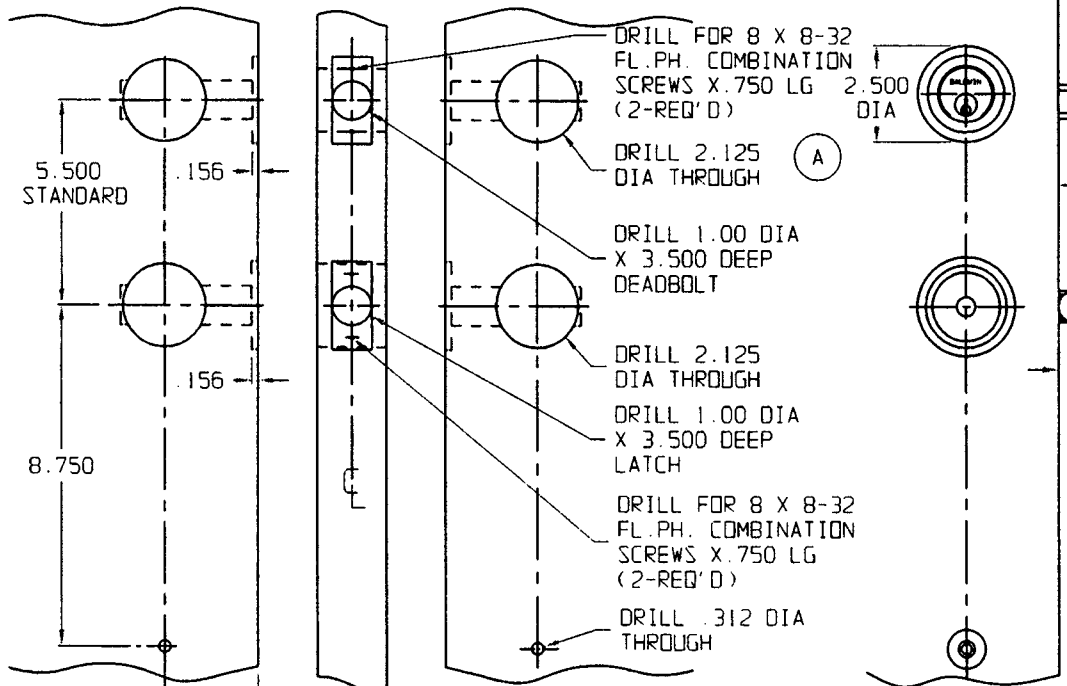
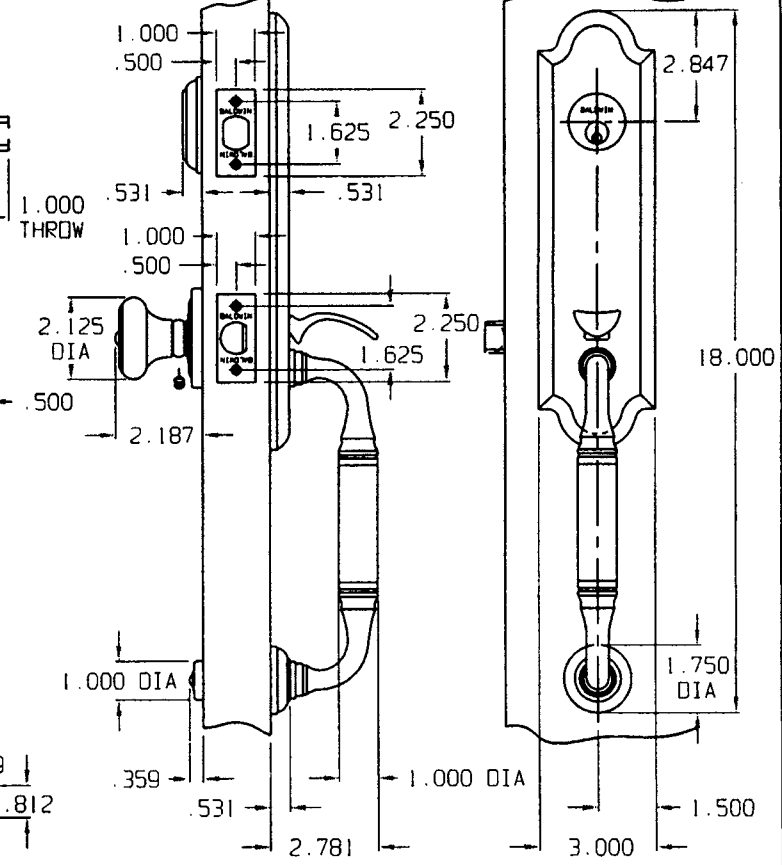


DOOR DETAIL



TRIM DETAIL

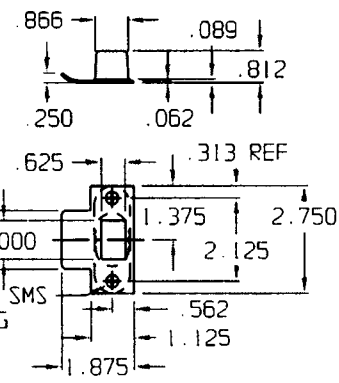
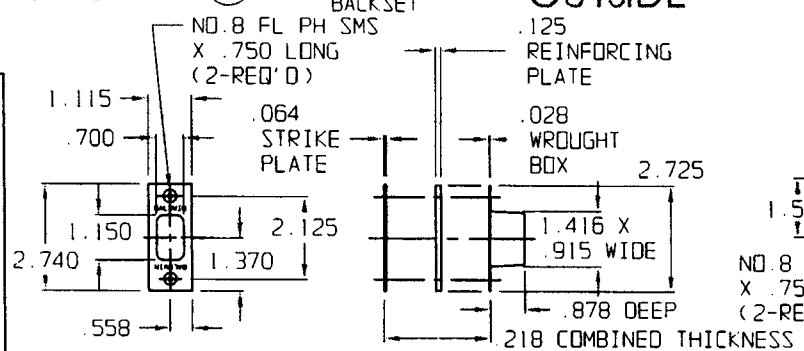
RIGHT HAND ILLUSTRATED



INSIDE

(A) 2.375/2.750 BACKSET

OUTSIDE



DO NOT SCALE DRAWING



5370 DBLC

TEMPLATE NO. VARIATIONS

TEMPLATE NO.

© 1992 BY BALDWIN HARDWARE CORPORATION

IM023A

EFFECTIVE 2-3-97

DEADBOLT STRIKE, REINFORCEMENT PLATE, & WROUGHT BOX DETAIL LATCH STRIKE & WROUGHT BOX DETAIL