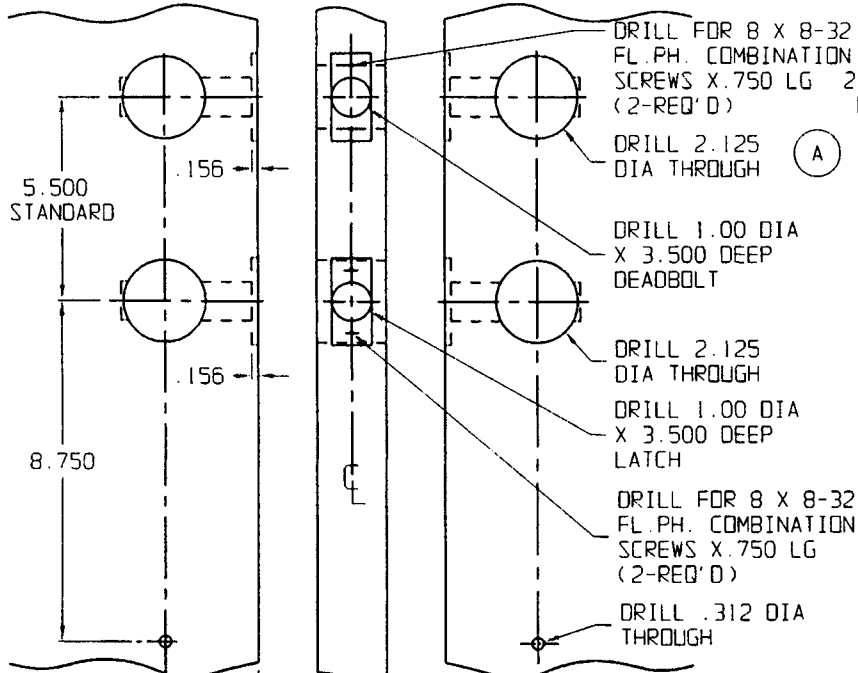


DOOR DETAIL



5.500 STANDARD

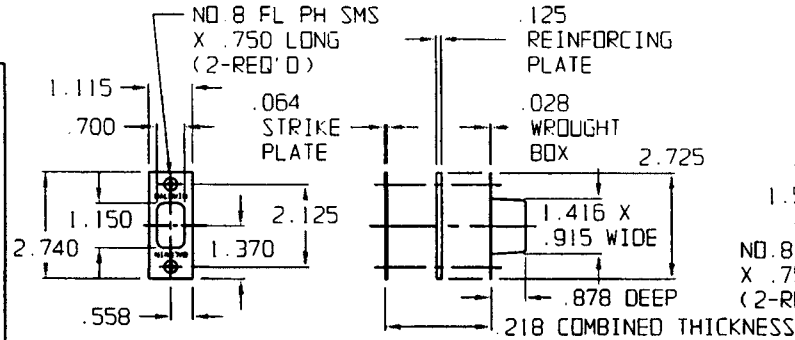
8.750

INSIDE

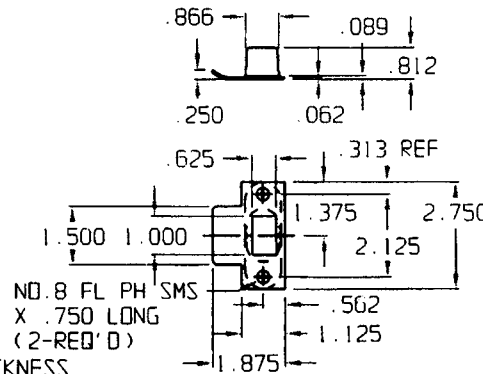
(A) 2.375/2.750 BACKSET

OUTSIDE

EFFECTIVE 2-3-97



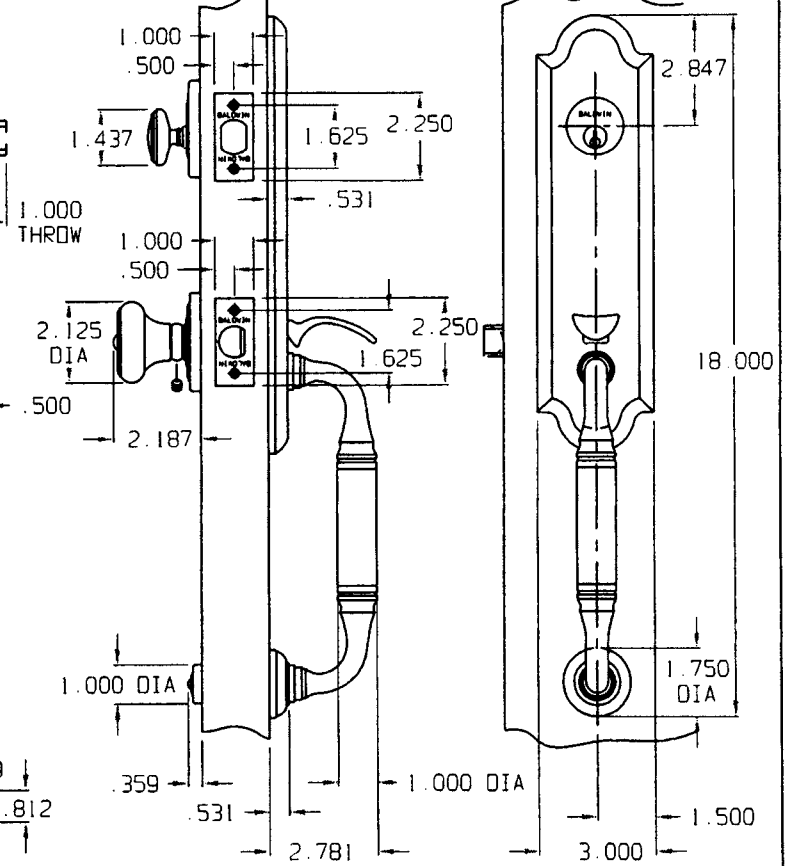
DEADBOLT STRIKE, REINFORCEMENT PLATE, & WROUGHT BOX DETAIL



LATCH STRIKE & WROUGHT BOX DETAIL

TRIM DETAIL

RIGHT HAND ILLUSTRATED



DO NOT SCALE DRAWING

BALDWIN

5370 ENTR

TEMPLATE NO. VARIATIONS

TEMPLATE NO.

© 1992 BY BALDWIN HARDWARE CORPORATION

IMO21 A