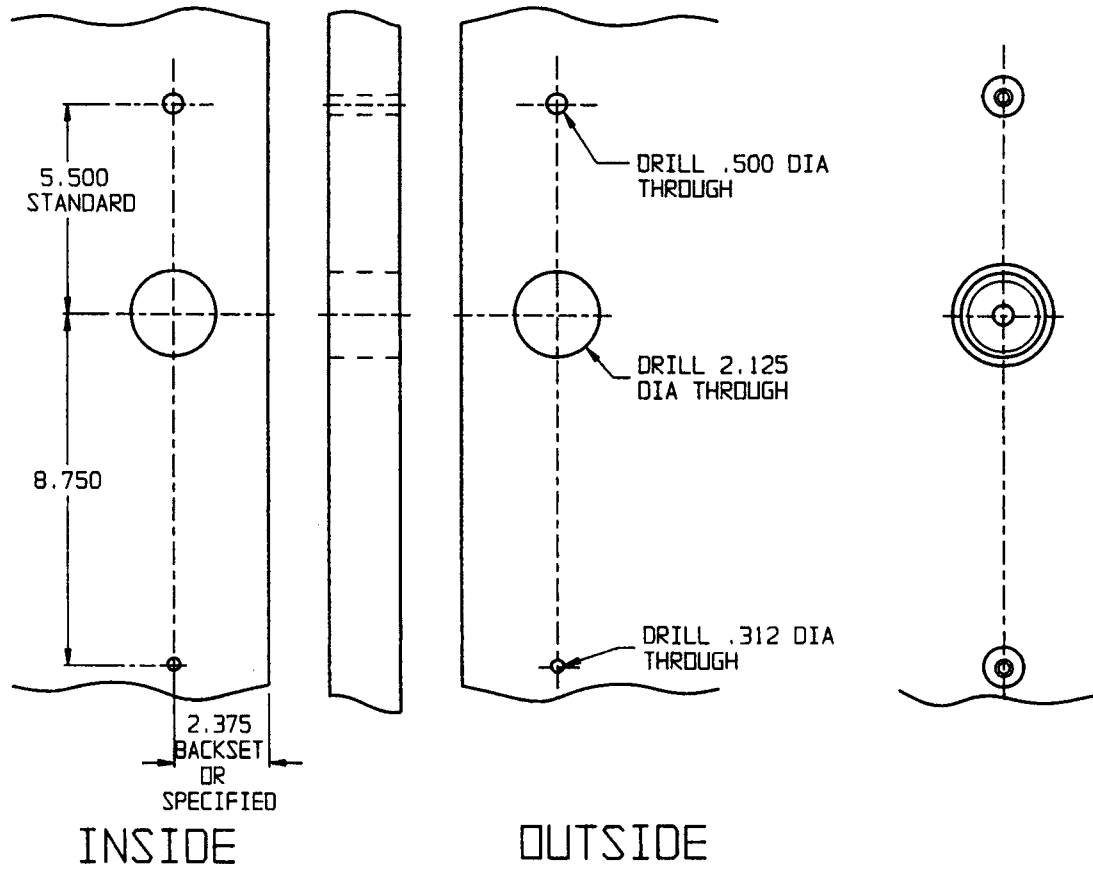
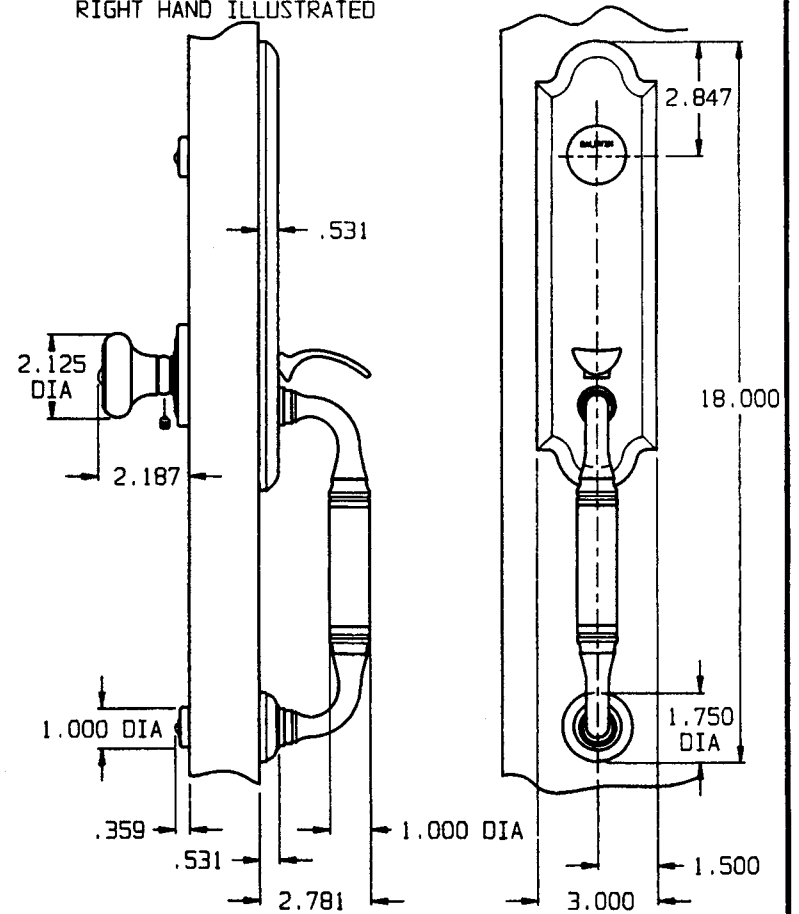


DOOR DETAIL



TRIM DETAIL

RIGHT HAND ILLUSTRATED



DO NOT SCALE DRAWING

BALDWIN

5370 FD

TEMPLATE NO. VARIATIONS
5371-ENTR, 5371-DBLC
© 1992 BY BALDWIN HARDWARE CORPORATION

TEMPLATE NO.
IM025

EFFECTIVE: 5-1-92