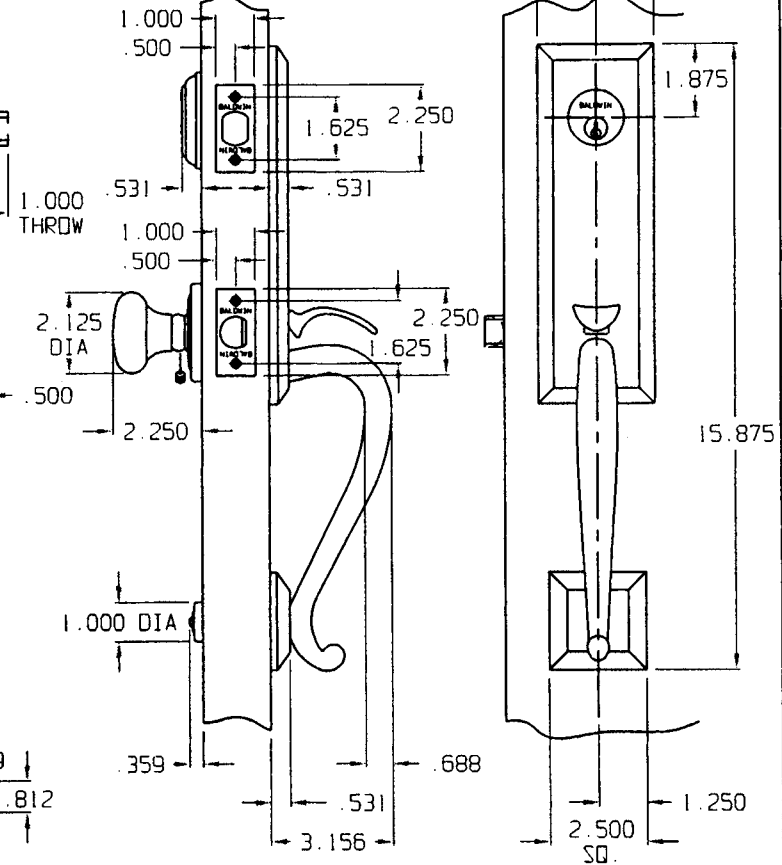
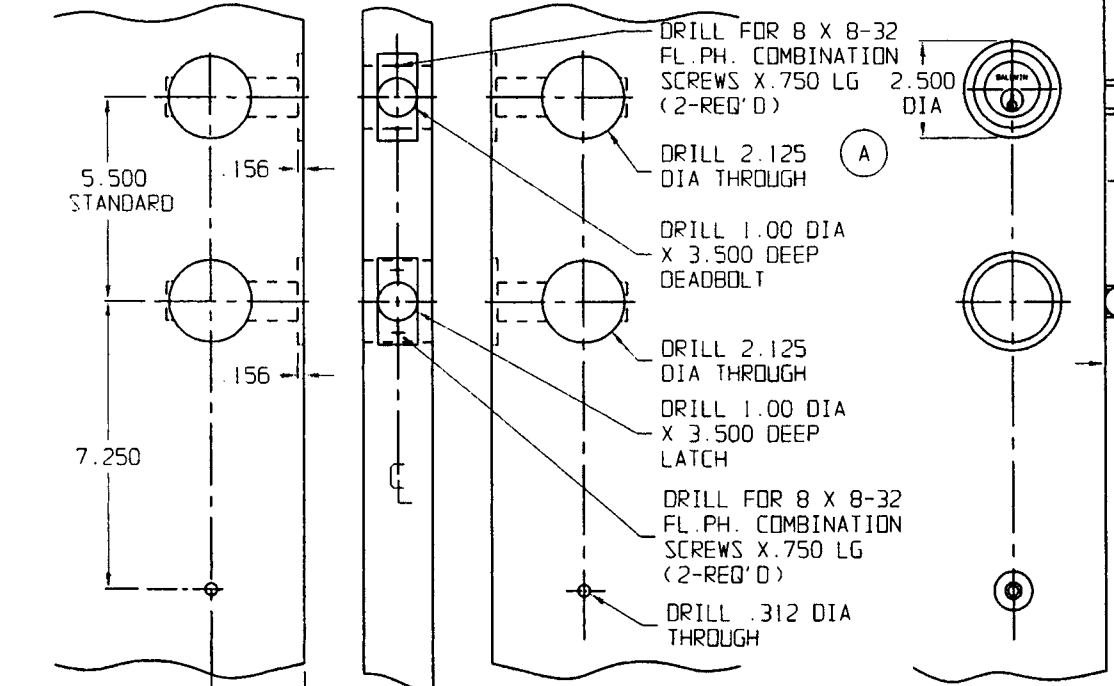


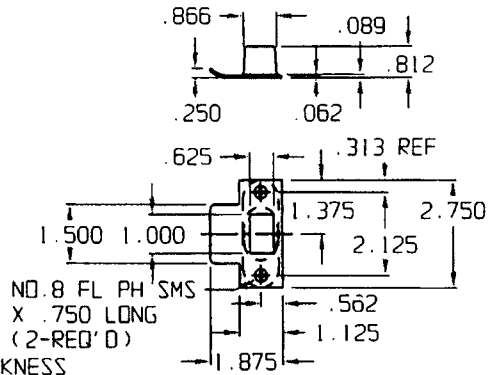
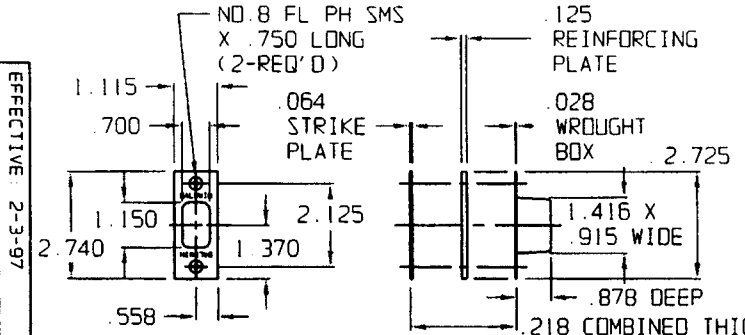
DOOR DETAIL

TRIM DETAIL RIGHT HAND ILLUSTRATED



INSIDE

OUTSIDE



DO NOT SCALE DRAWING



5375 DBLC

TEMPLATE NO. VARIATIONS

TEMPLATE NO.

© 1992 BY BALDWIN HARDWARE CORPORATION

IM028A

EFFECTIVE: 2-3-97

DEADBOLT STRIKE, REINFORCEMENT PLATE, & WROUGHT BOX DETAIL LATCH STRIKE & WROUGHT BOX DETAIL