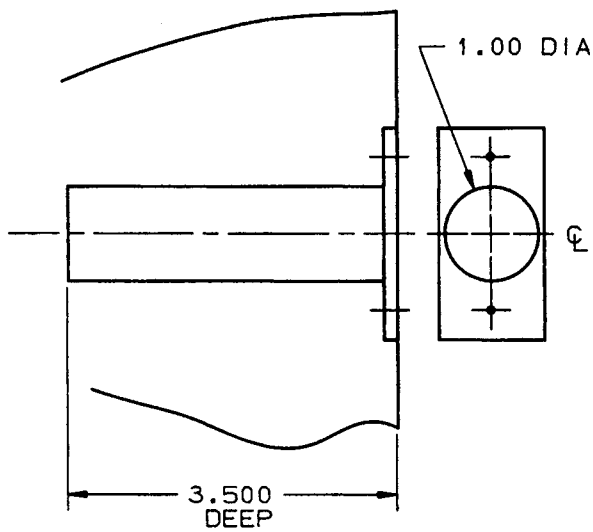
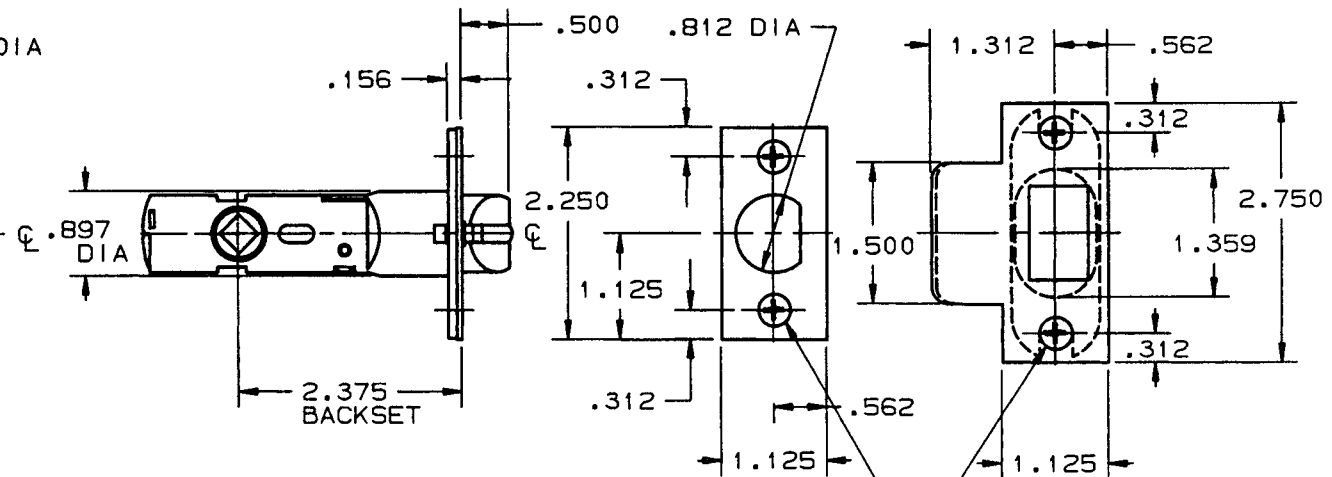
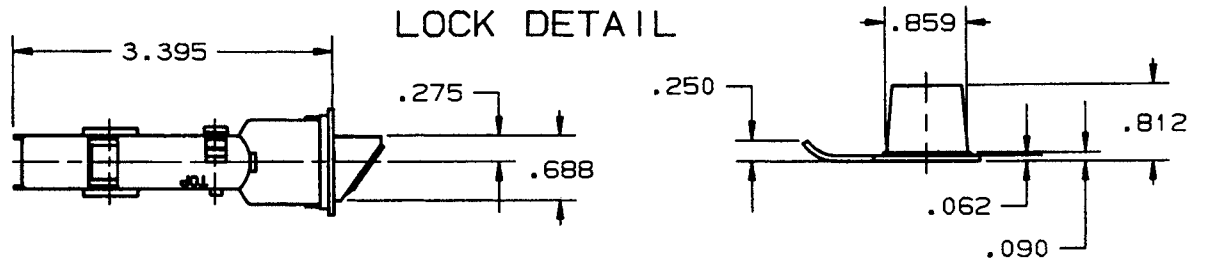


DOOR DETAIL



☐ STRIKE, LATCH,
AND DOOR



2.375 BACKSET

NO. 8 FL PH SMS
X .750 LONG (4-REQ'D)

NOTE:
1. SEE SPECIFIC TRIM TEMPLATE FOR
ADDITIONAL DOOR CUTOUT DETAILS.

DO NOT SCALE DRAWING

EFFECTIVE: 1-2-91 RLL

BALDWIN	
5512, 5515 LATCH	
TEMPLATE NO. VARIATIONS	TEMPLATE NO.
	F503