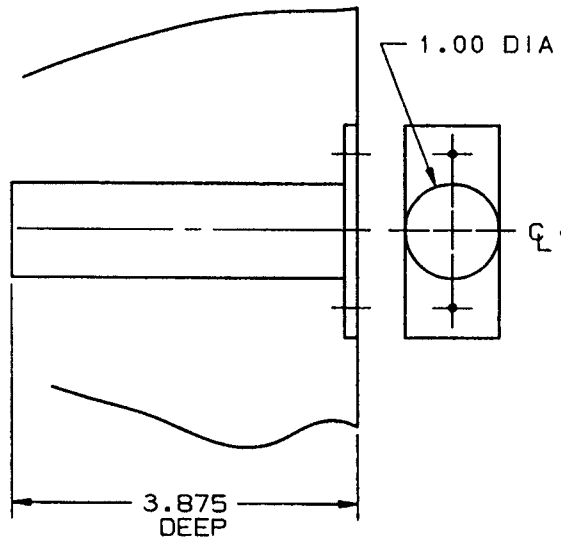
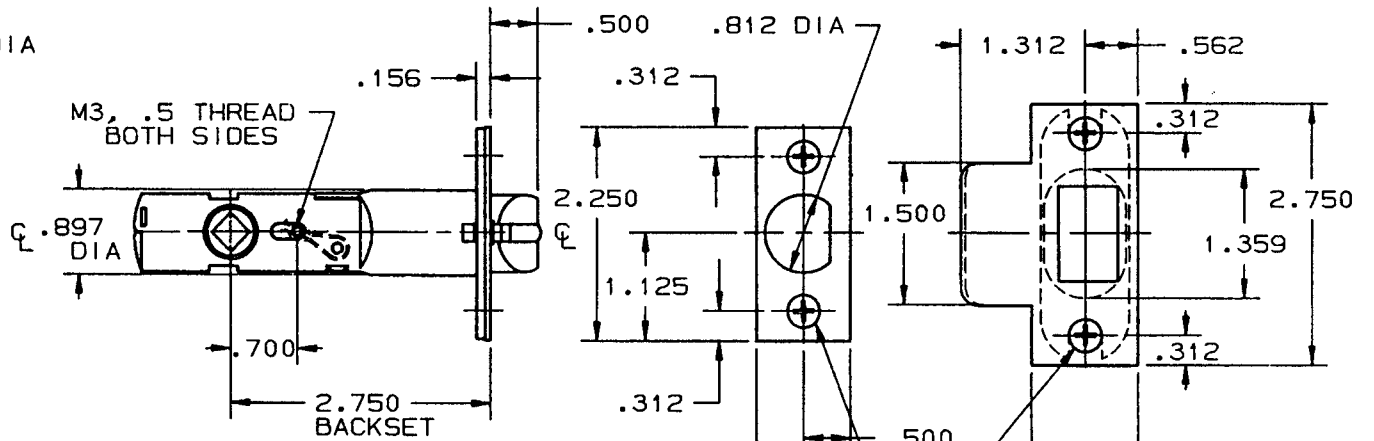
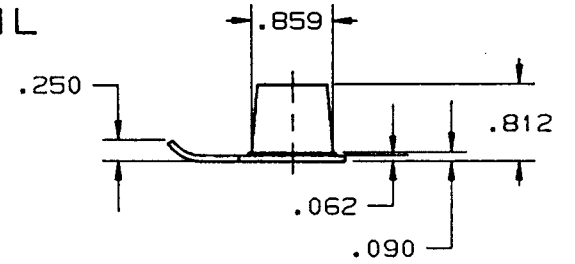
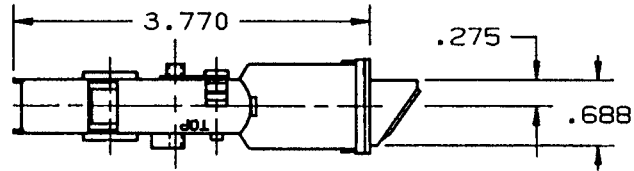


DOOR DETAIL



CL STRIKE, LATCH,  
AND DOOR

LOCK DETAIL



M3, .5 THREAD  
BOTH SIDES

NO. 8 FL PH SMS  
X .750 LONG (4-REQ'D)

NOTE:  
1. SEE SPECIFIC TRIM TEMPLATE FOR  
ADDITIONAL DOOR CUTOUT DETAILS.

DO NOT SCALE DRAWING

EFFECTIVE: 1-2-91 CAL

<b>BALDWIN</b>	
<b>5520-P, 5523-P LATCH</b>	
TEMPLATE NO. VARIATIONS	TEMPLATE NO.
	<b>F610</b>