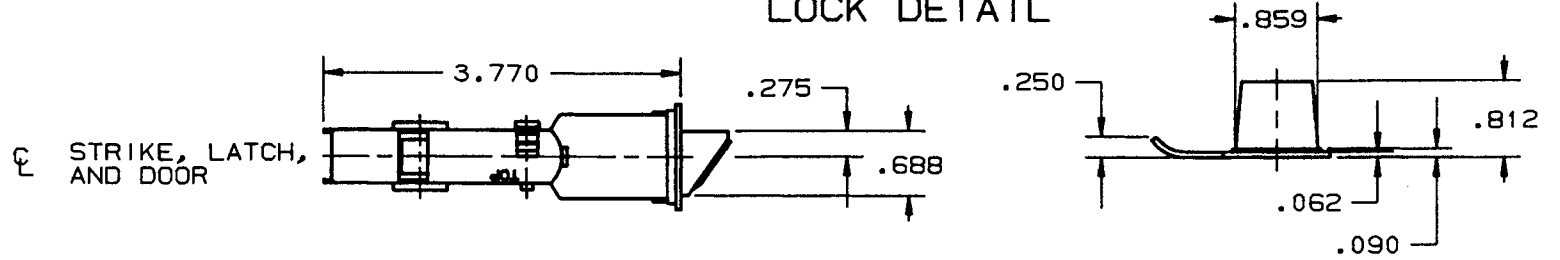
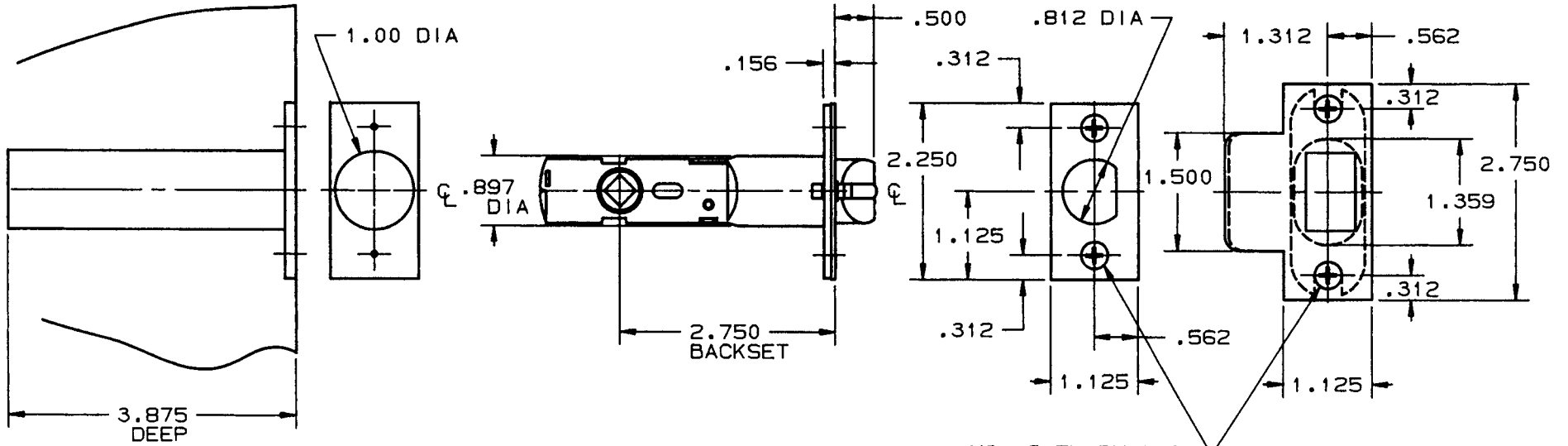


LOCK DETAIL



CL STRIKE, LATCH,  
AND DOOR

DOOR DETAIL



NO. 8 FL PH SMS  
X .750 LONG (4-REQ'D)

NOTE:  
1. SEE SPECIFIC TRIM TEMPLATE FOR  
ADDITIONAL DOOR CUTOUT DETAILS.

EFFECTIVE 11-2-91 & A/S

DO NOT SCALE DRAWING

<b>B. BALDWIN</b>	
<b>5522, 5525 LATCH</b>	
TEMPLATE NO. VARIATIONS	TEMPLATE NO.
	<b>F513</b>