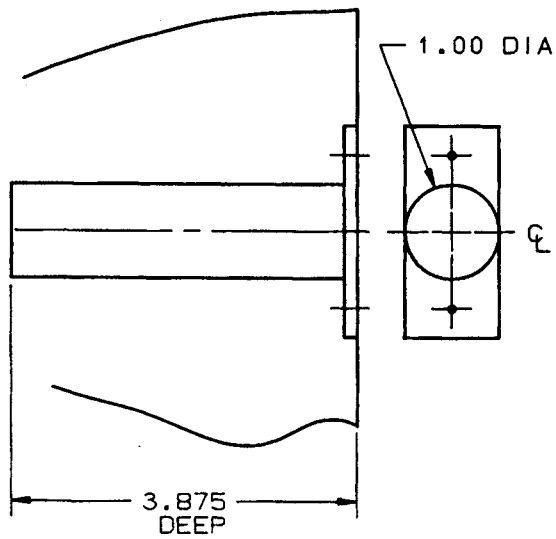
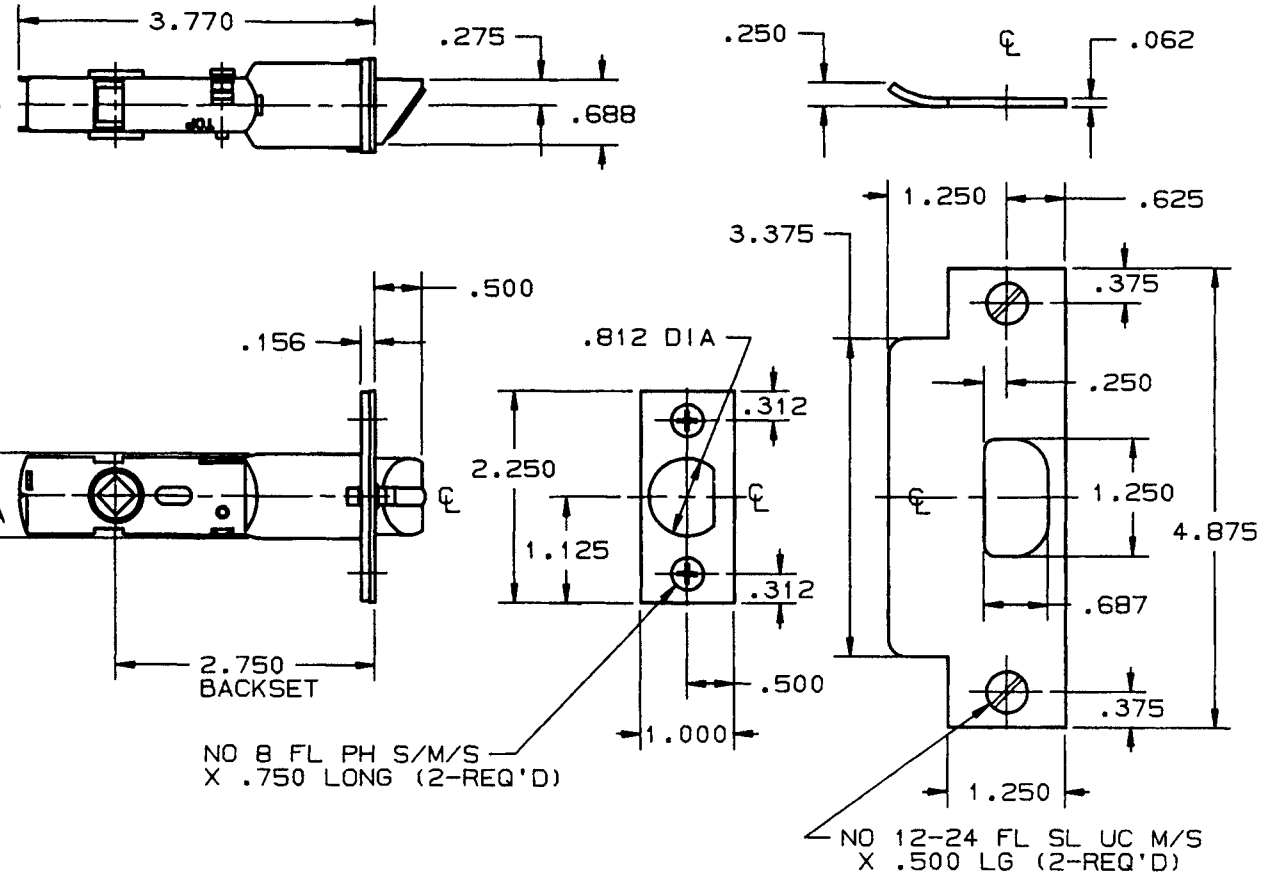


DOOR DETAIL



CL STRIKE, LATCH,
AND DOOR

LOCK DETAIL



NOTE:
1. SEE SPECIFIC TRIM TEMPLATE FOR
ADDITIONAL DOOR CUTOUT DETAILS.

EFFECTIVE 1-2-91 2445

DO NOT SCALE DRAWING

BALDWIN	
5520-ASA, 5523-ASA LATCH	
TEMPLATE NO. VARIATIONS	TEMPLATE NO.
	F511