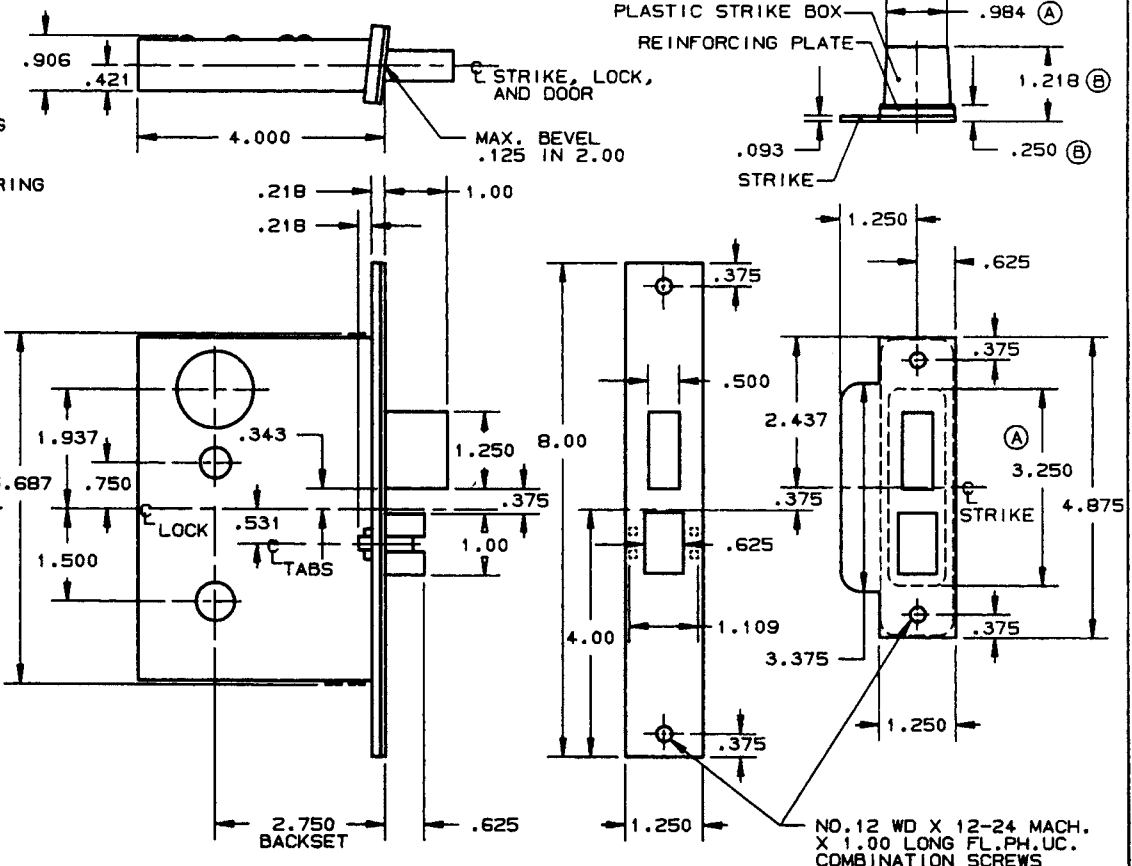
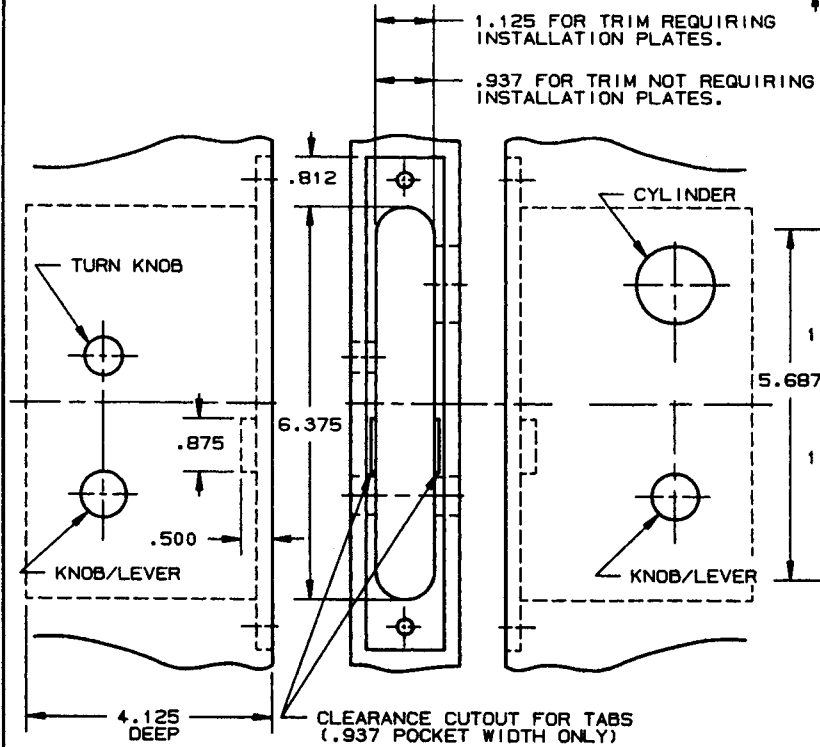


DOOR DETAIL

LOCK DETAIL



INSIDE

OUTSIDE

- NOTE:
 1.) SEE SPECIFIC TRIM TEMPLATE FOR ADDITIONAL DOOR CUTOUT DETAILS.
 2.) DISCARD REINFORCING PLATE WHEN INSTALLING ON METAL DOORS & JAMBS.

DO NOT SCALE DRAWING

BALDWIN	
6010 AND 6010-LS LOCK	
TEMPLATE NO. VARIATIONS	TEMPLATE NO.
	H003-B

EFFECTIVE 1-31-91 PMS