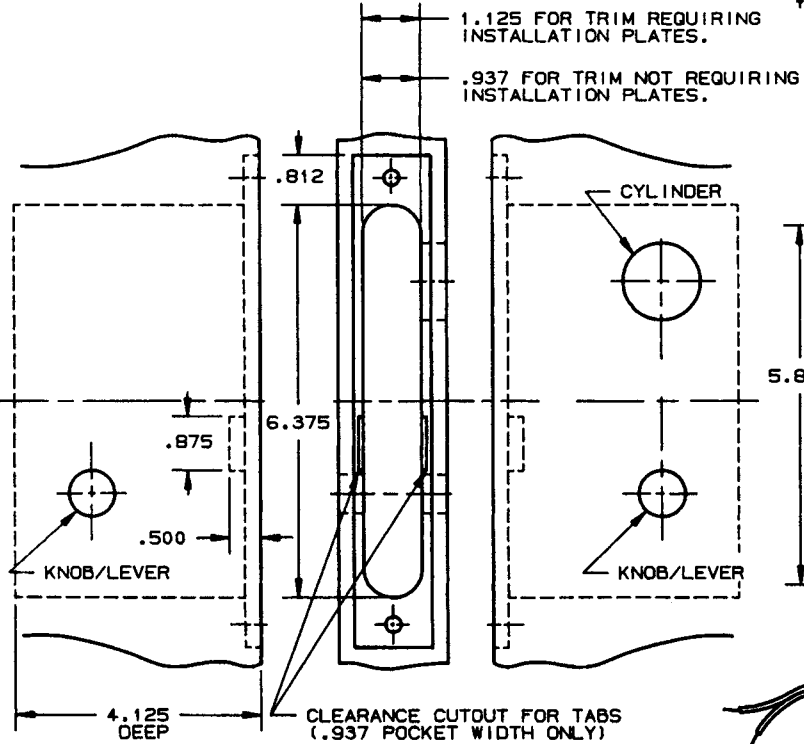
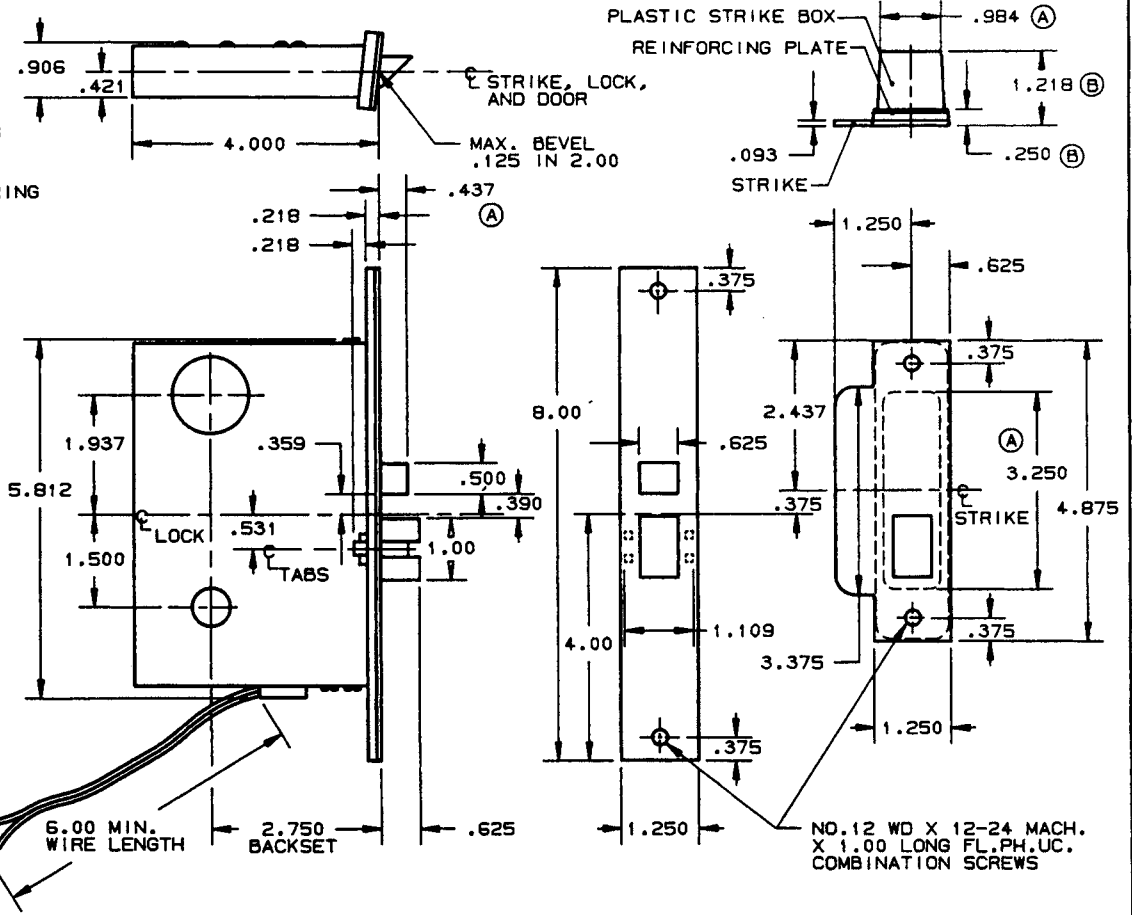


DOOR DETAIL



LOCK DETAIL



- NOTE:
- 1.) SEE SPECIFIC TRIM TEMPLATE FOR ADDITIONAL DOOR CUTOUT DETAILS.
 - 2.) DISCARD REINFORCING PLATE WHEN INSTALLING ON METAL DOORS & JAMBS.

DO NOT SCALE DRAWING

SUITABLE REINFORCEMENT BY OTHERS MAY BE REQUIRED FOR METAL AND COMPOSITE CORE DOOR INSTALLATION.

EFFECTIVE 1-31-91

BALDWIN	
6051 AND 6051-LS LOCK	
TEMPLATE NO. VARIATIONS	TEMPLATE NO.
	H030-B