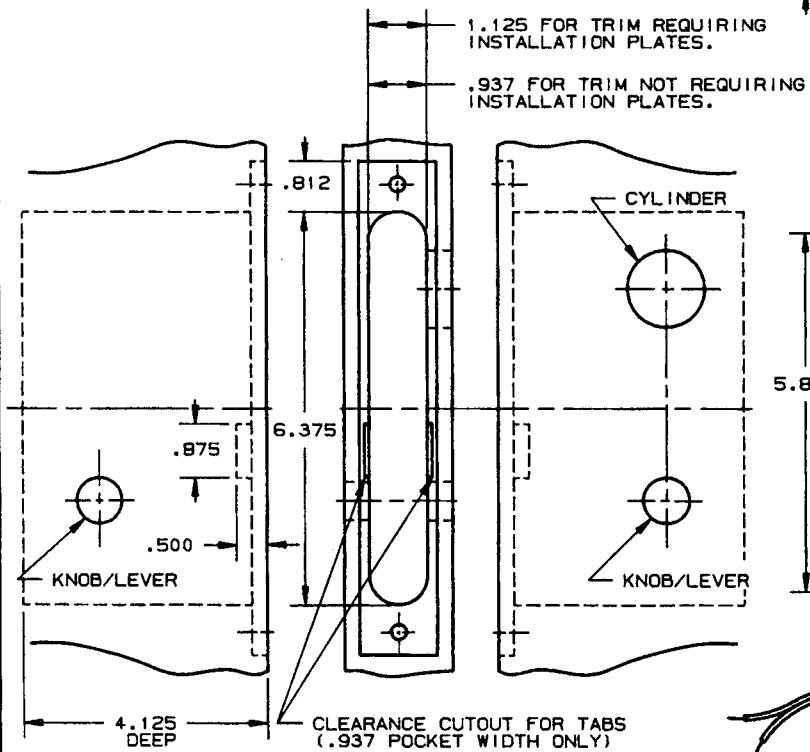
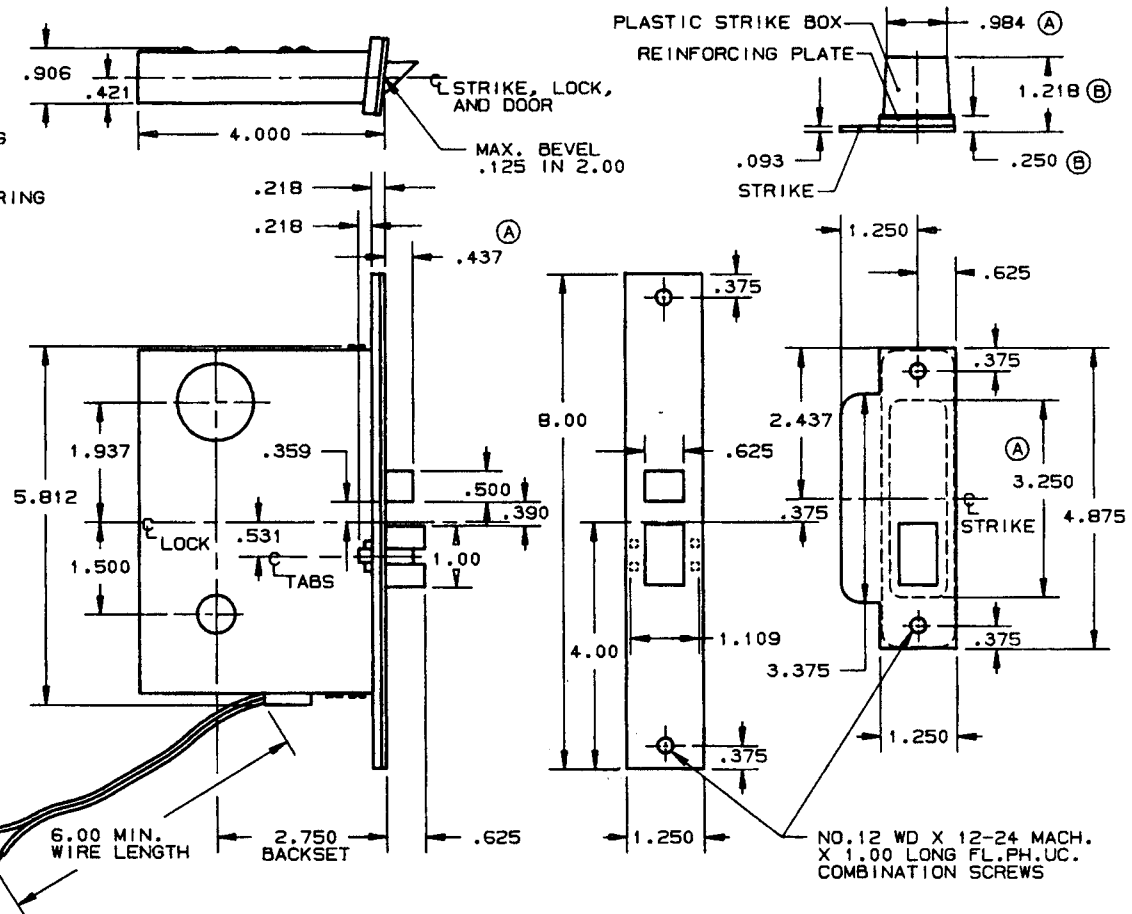


DOOR DETAIL



LOCK DETAIL



- NOTE:
 1.) SEE SPECIFIC TRIM TEMPLATE FOR ADDITIONAL DOOR CUTOUT DETAILS.
 2.) DISCARD REINFORCING PLATE WHEN INSTALLING ON METAL DOORS & JAMBS.

DO NOT SCALE DRAWING

EFFECTIVE 11-31-91

SUITABLE REINFORCEMENT BY OTHERS MAY BE REQUIRED FOR METAL AND COMPOSITE CORE DOOR INSTALLATION.

BALDWIN	
6053 AND 6053-LS LOCK	
TEMPLATE NO. VARIATIONS	TEMPLATE NO.
	H032-B