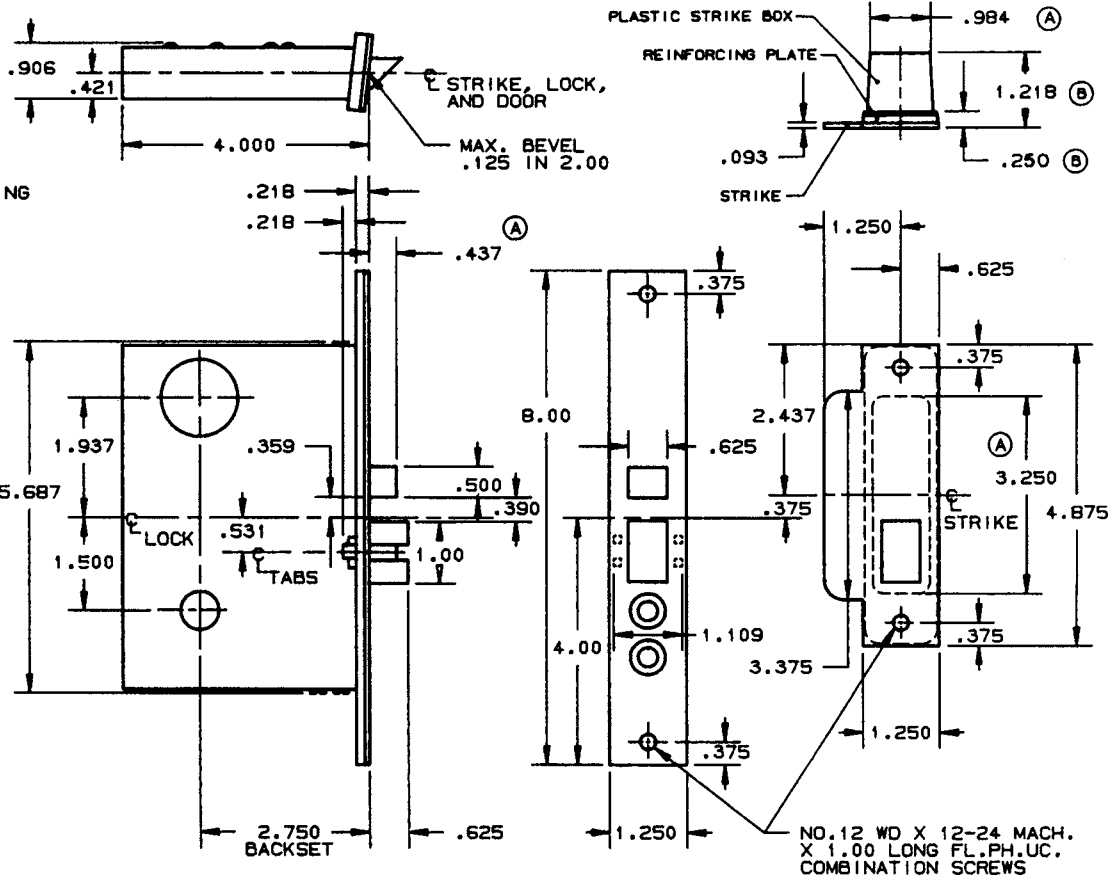
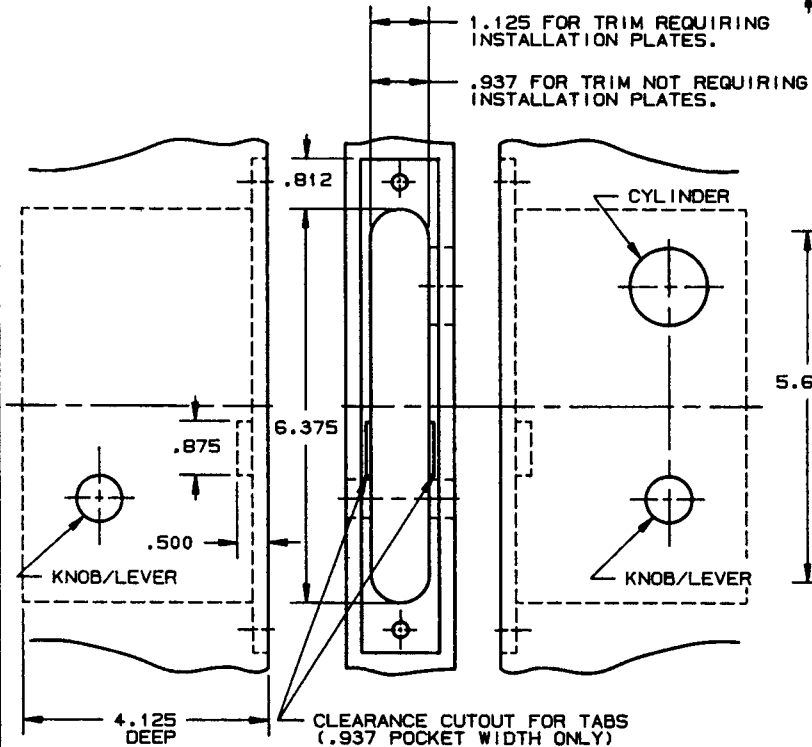


LOCK DETAIL

DOOR DETAIL



INSIDE

OUTSIDE

- NOTE:
- SEE SPECIFIC TRIM TEMPLATE FOR ADDITIONAL DOOR CUTOUT DETAILS.
 - DISCARD REINFORCING PLATE WHEN INSTALLING ON METAL DOORS & JAMBS.

DO NOT SCALE DRAWING

SUITABLE REINFORCEMENT BY OTHERS MAY BE REQUIRED FOR METAL AND COMPOSITE CORE DOOR INSTALLATION.

BALDWIN	
6060 AND 6060-LS LOCK	
TEMPLATE NO. VARIATIONS	TEMPLATE NO.
	H040-B

EFFECTIVE 11-31-91