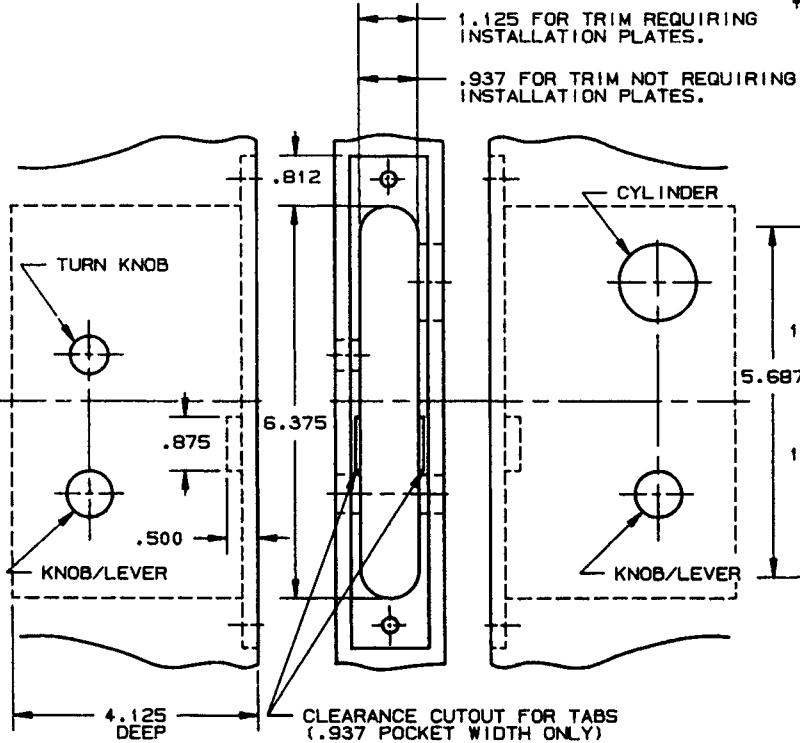
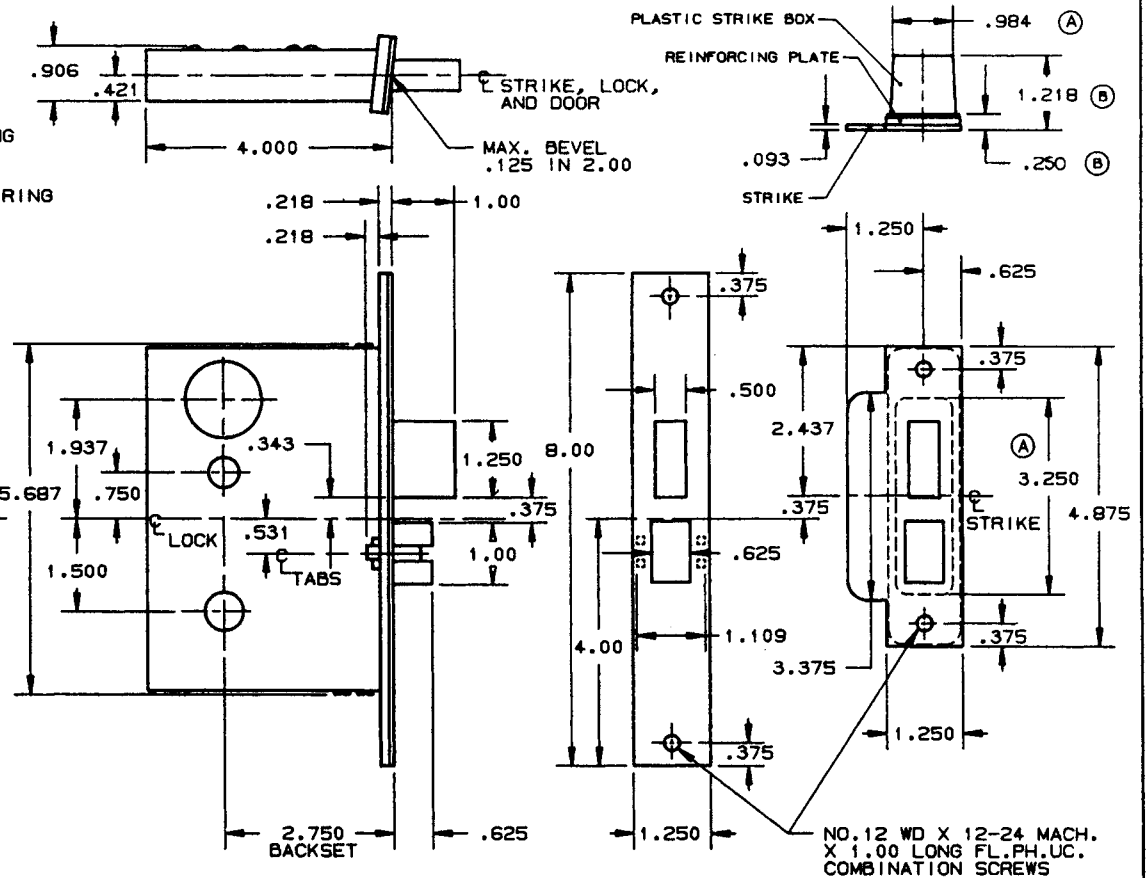


DOOR DETAIL



LOCK DETAIL



INSIDE

OUTSIDE

- NOTE:
 1.) SEE SPECIFIC TRIM TEMPLATE FOR ADDITIONAL DOOR CUTOUT DETAILS.
 2.) DISCARD REINFORCING PLATE WHEN INSTALLING ON METAL DOORS & JAMBS.

DO NOT SCALE DRAWING

B. BALDWIN

6070 AND 6070-LS LOCK

TEMPLATE NO. VARIATIONS

TEMPLATE NO.

H060-B

SUITABLE REINFORCEMENT BY OTHERS MAY BE REQUIRED FOR METAL AND COMPOSITE CORE DOOR INSTALLATION.