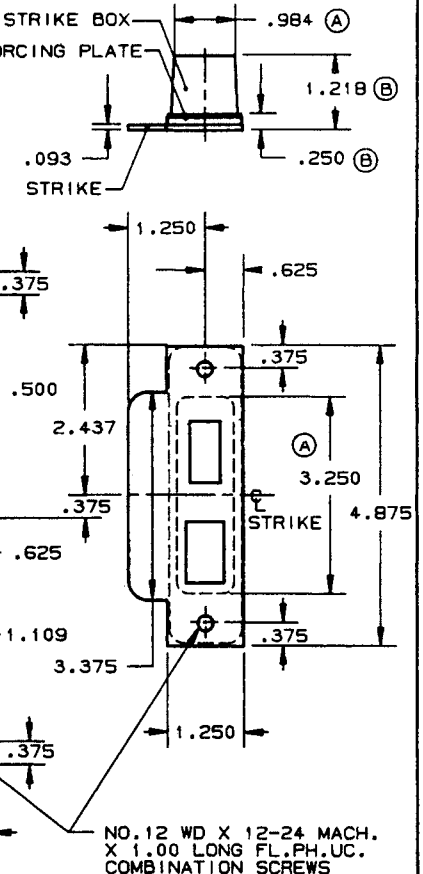
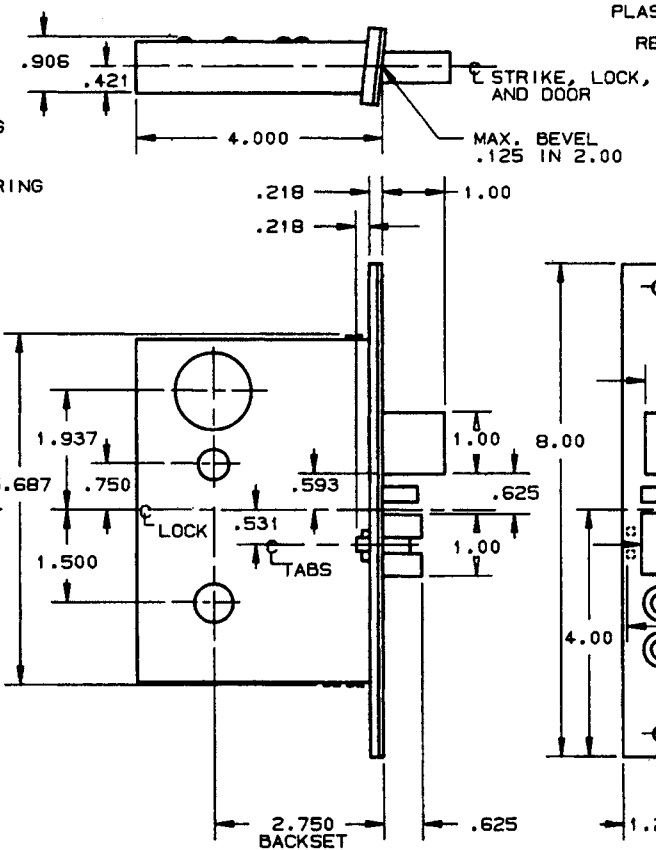
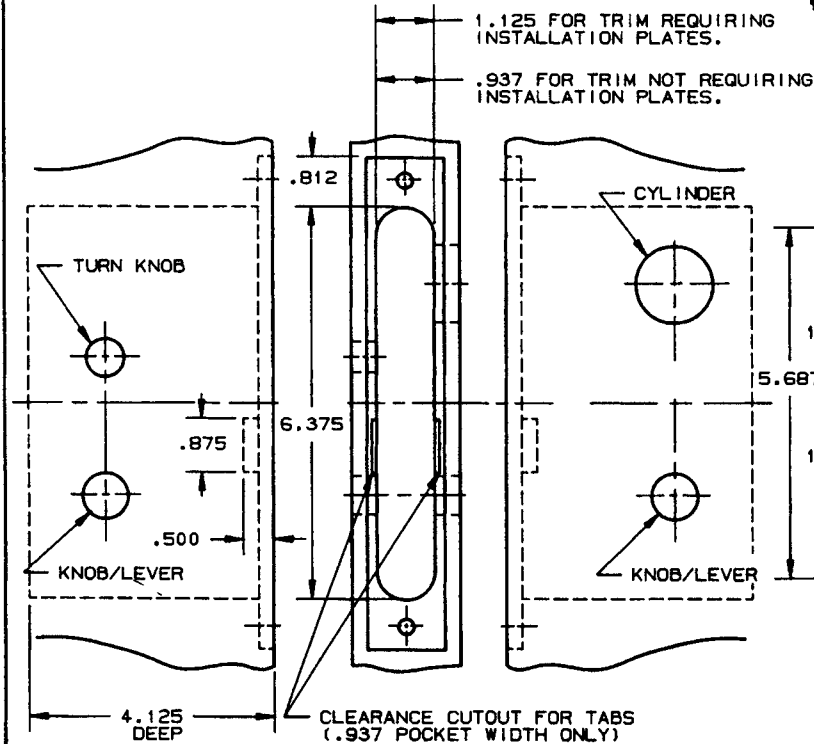


LOCK DETAIL

DOOR DETAIL



INSIDE

OUTSIDE

- NOTE:
- 1.) SEE SPECIFIC TRIM TEMPLATE FOR ADDITIONAL DOOR CUTOUT DETAILS.
 - 2.) DISCARD REINFORCING PLATE WHEN INSTALLING ON METAL DOORS & JAMBS.

DO NOT SCALE DRAWING

BALDWIN

6077 AND 6077-LS LOCK

TEMPLATE NO. VARIATIONS

TEMPLATE NO.

H067-B

EFFECTIVE 1-31-91

SUITABLE REINFORCEMENT BY OTHERS MAY BE REQUIRED FOR METAL AND COMPOSITE CORE DOOR INSTALLATION.