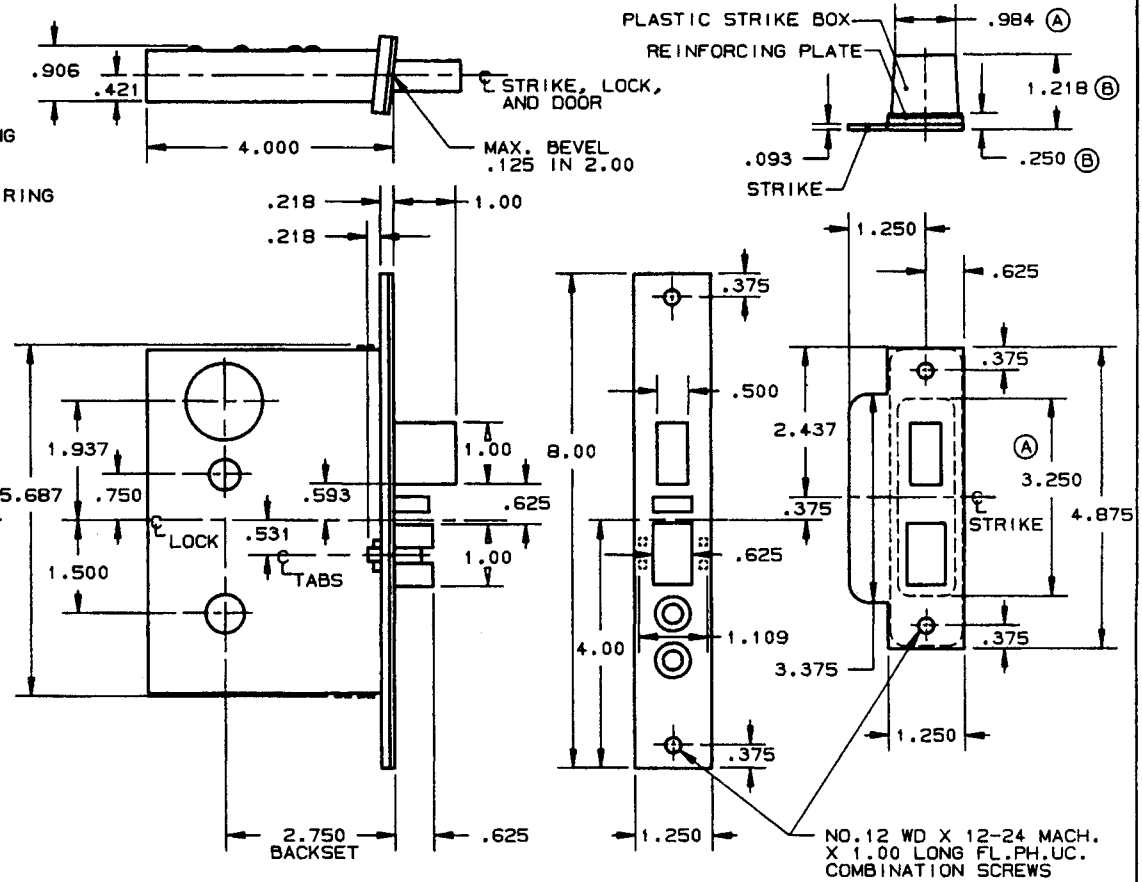
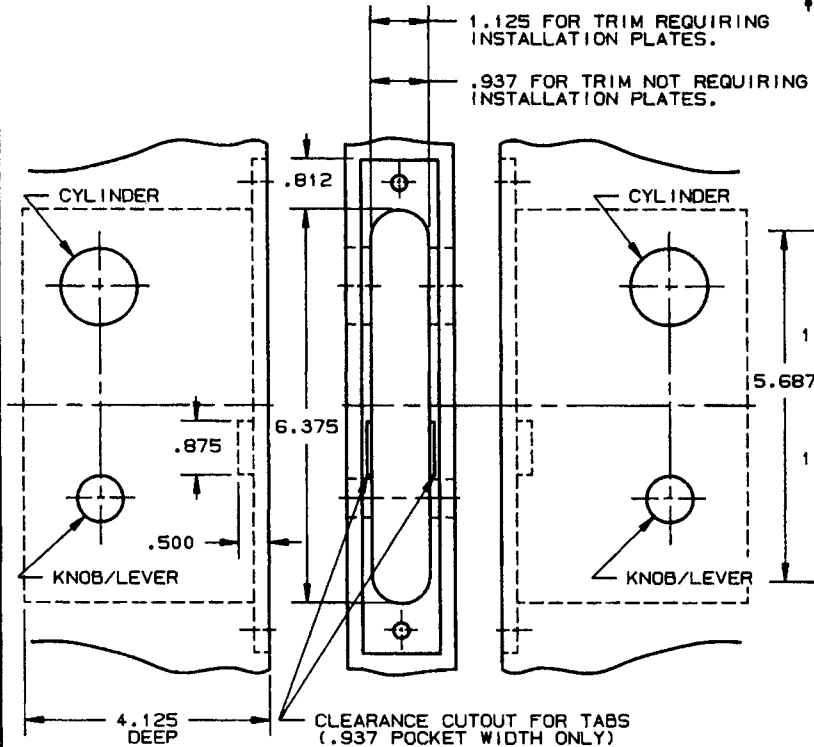


LOCK DETAIL

DOOR DETAIL



INSIDE

OUTSIDE

- NOTE:
 1.) SEE SPECIFIC TRIM TEMPLATE FOR ADDITIONAL DOOR CUTOUT DETAILS.
 2.) DISCARD REINFORCING PLATE WHEN INSTALLING ON METAL DOORS & JAMBS.

DO NOT SCALE DRAWING

B. BALDWIN

6080 AND 6080-LS LOCK

TEMPLATE NO. VARIATIONS

TEMPLATE NO.

H070-B

EFFECTIVE: 1-31-91

SUITABLE REINFORCEMENT BY OTHERS MAY BE REQUIRED FOR METAL AND COMPOSITE CORE DOOR INSTALLATION.