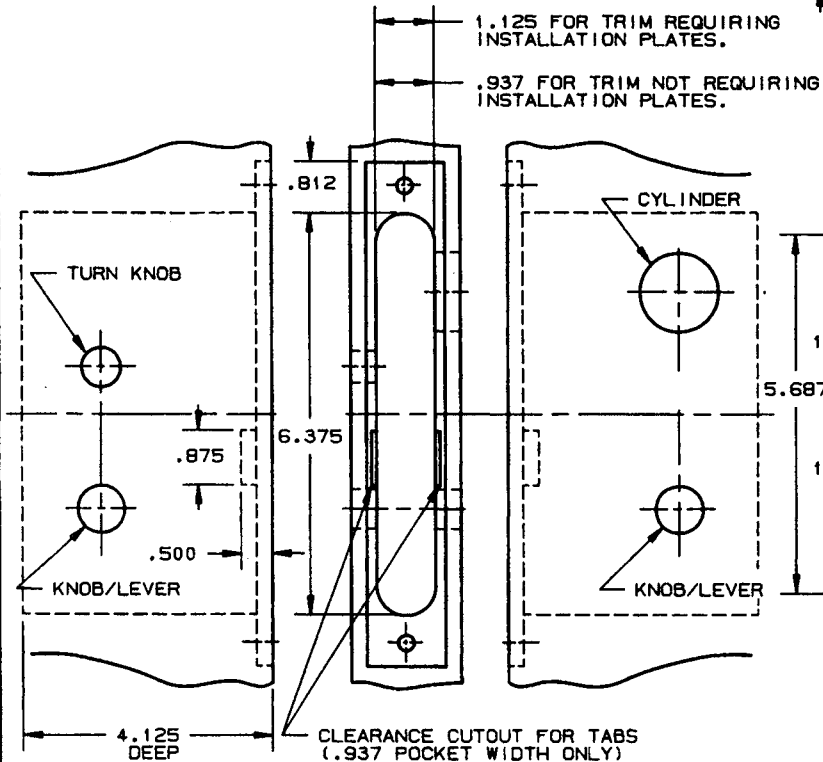
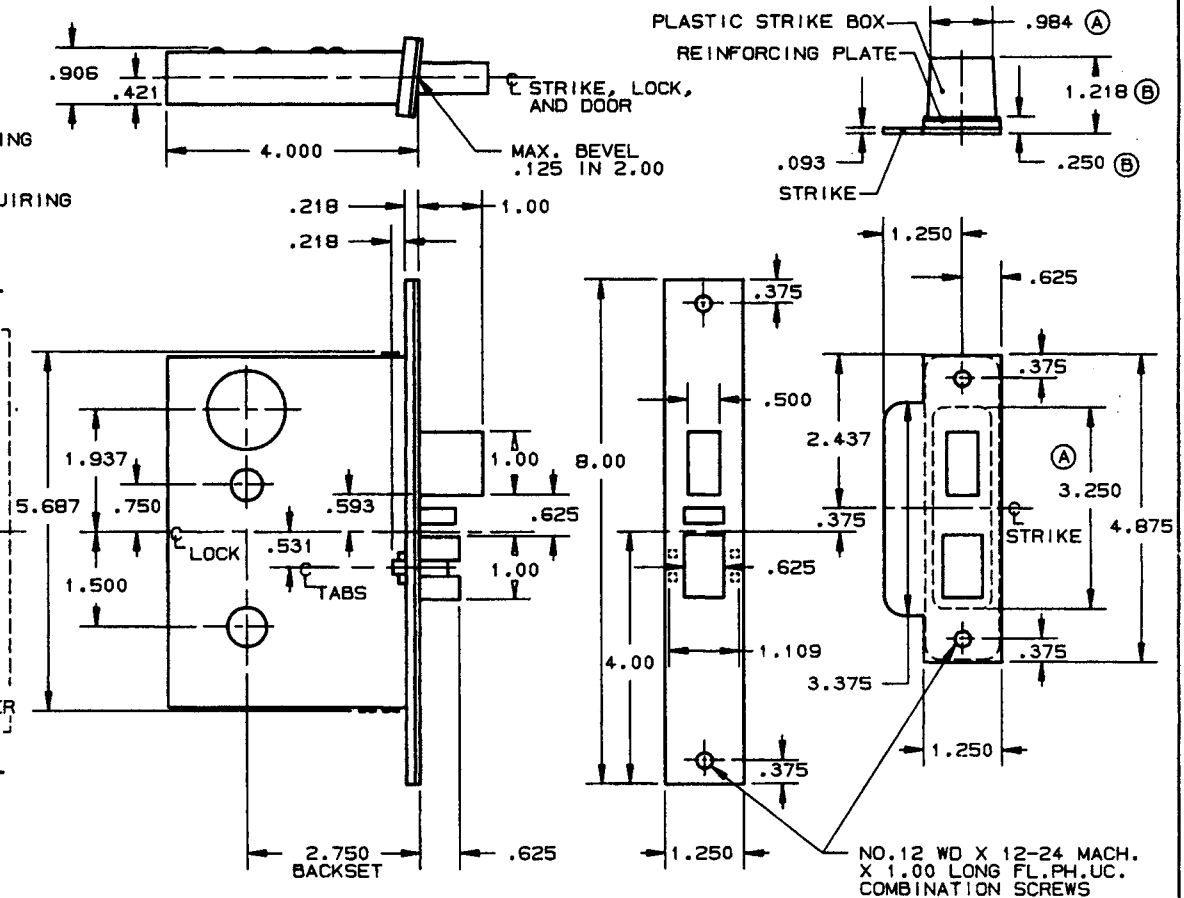


# DOOR DETAIL



# LOCK DETAIL



INSIDE

OUTSIDE

**NOTE:**

- 1.) SEE SPECIFIC TRIM TEMPLATE FOR ADDITIONAL DOOR CUTOUT DETAILS.
- 2.) DISCARD REINFORCING PLATE WHEN INSTALLING ON METAL DOORS & JAMBS.

DO NOT SCALE DRAWING

**BALDWIN**

**6091 AND 6091-LS LOCK**

TEMPLATE NO. VARIATIONS

TEMPLATE NO.

**H080-B**

SUITABLE REINFORCEMENT BY OTHERS MAY BE REQUIRED FOR METAL AND COMPOSITE CORE DOOR INSTALLATION.

EFFECTIVE: 1-31-91