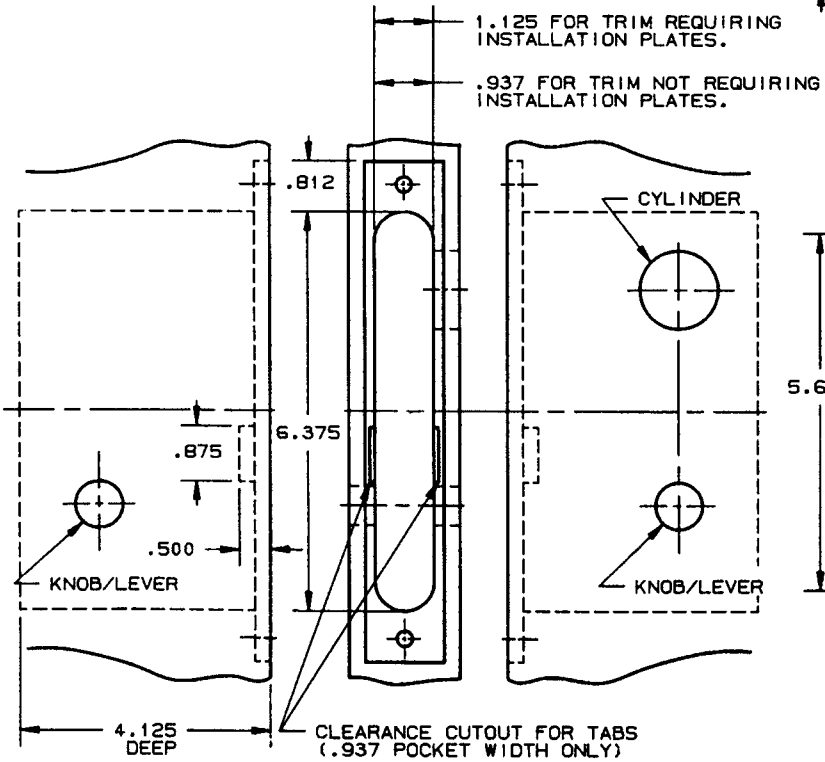
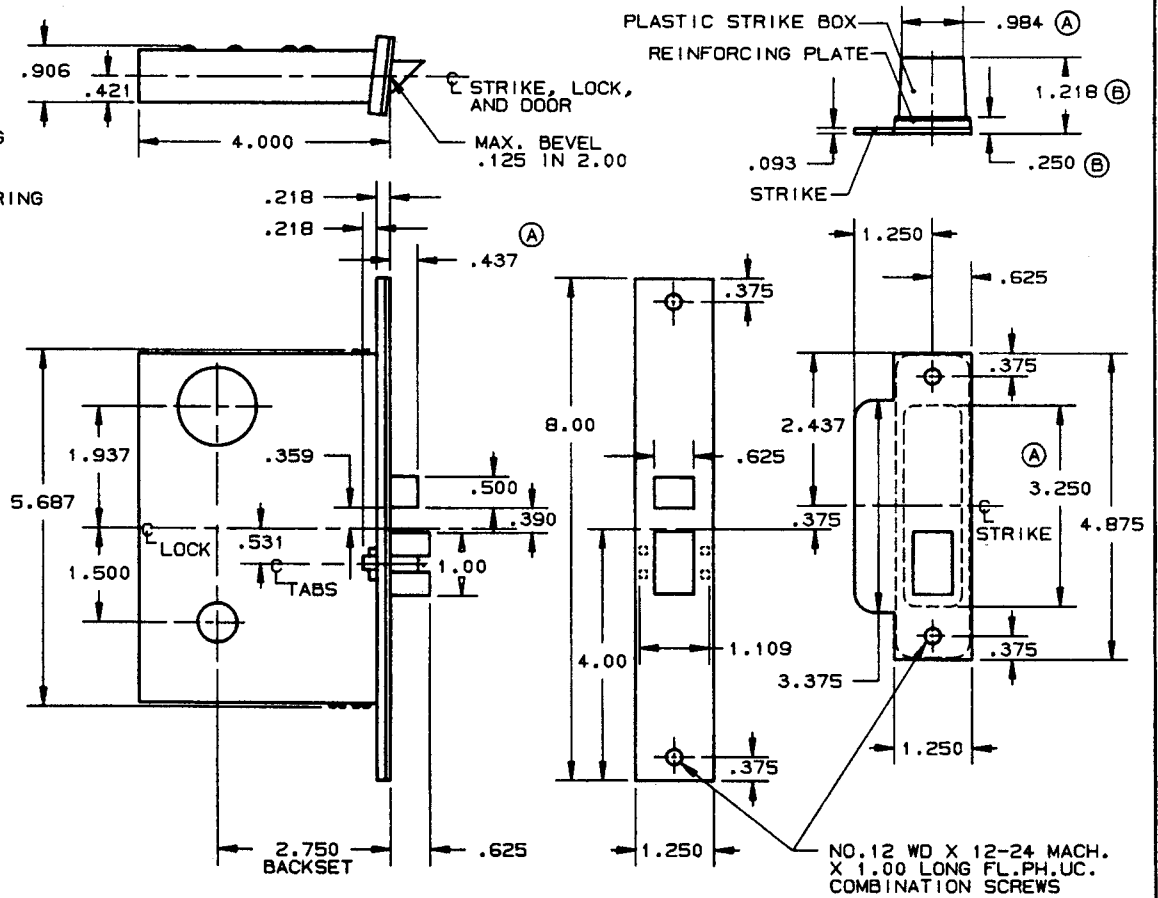


# DOOR DETAIL



# LOCK DETAIL



- NOTE:
- 1.) SEE SPECIFIC TRIM TEMPLATE FOR ADDITIONAL DOOR CUTOUT DETAILS.
  - 2.) DISCARD REINFORCING PLATE WHEN INSTALLING ON METAL DOORS & JAMBS.

DO NOT SCALE DRAWING

<b>BALDWIN</b>	
<b>6130 AND 6130-LS LOCK</b>	
TEMPLATE NO. VARIATIONS	TEMPLATE NO.
	<b>H100-B</b>