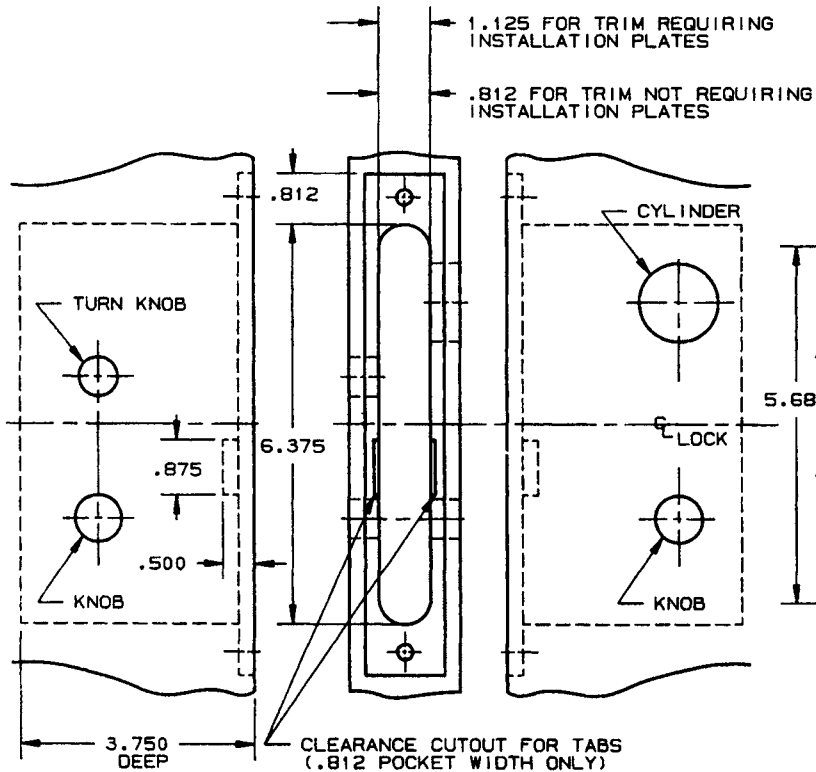


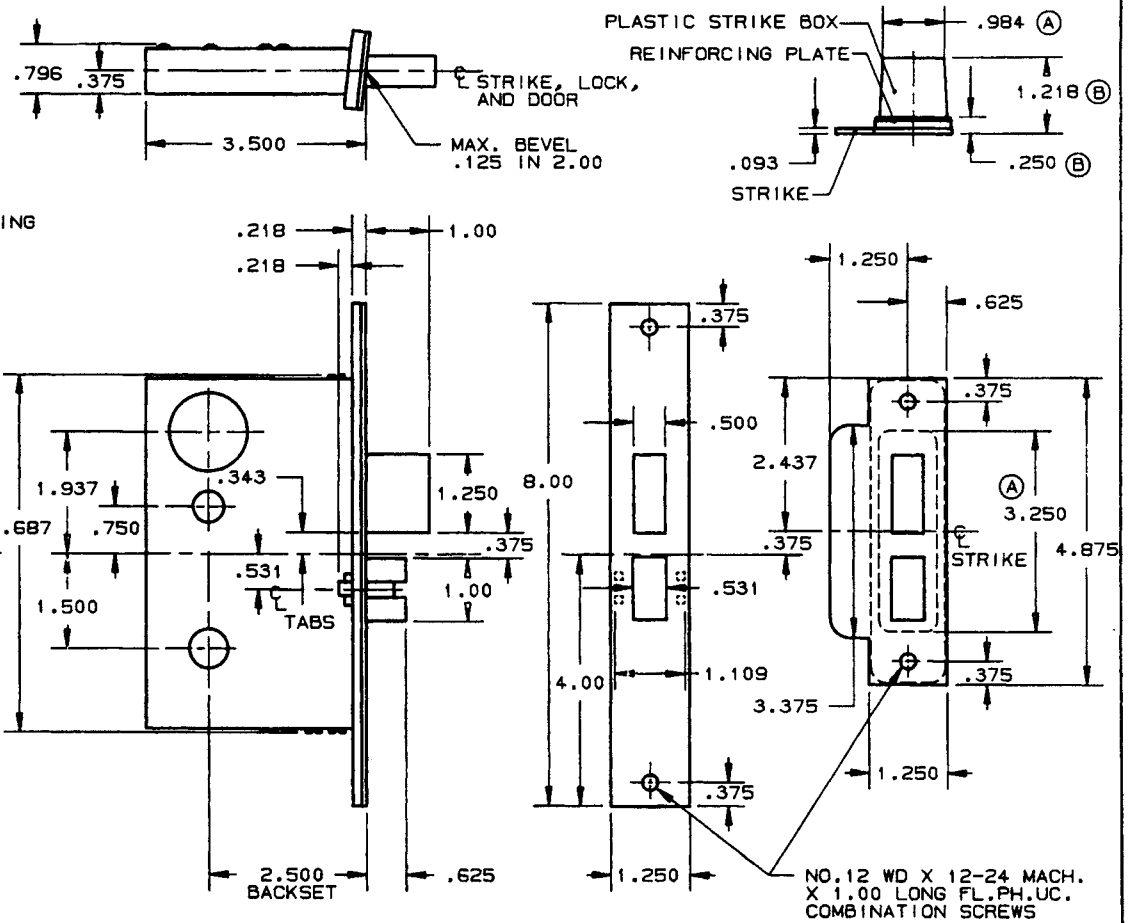
DOOR DETAIL



INSIDE

OUTSIDE

LOCK DETAIL



NOTE:

- 1.) SEE SPECIFIC TRIM TEMPLATE FOR ADDITIONAL DOOR CUTOUT DETAILS.
- 2.) DISCARD REINFORCING PLATE WHEN INSTALLING ON METAL DOORS & JAMBS.

DO NOT SCALE DRAWING

BALDWIN

6310 AND 6310 LS LOCK

TEMPLATE NO. VARIATIONS

TEMPLATE NO.

H156-B

SUITABLE REINFORCEMENT BY OTHERS MAY BE REQUIRED FOR METAL AND COMPOSITE CORE DOOR INSTALLATION.

EFFECTIVE 11-31-91