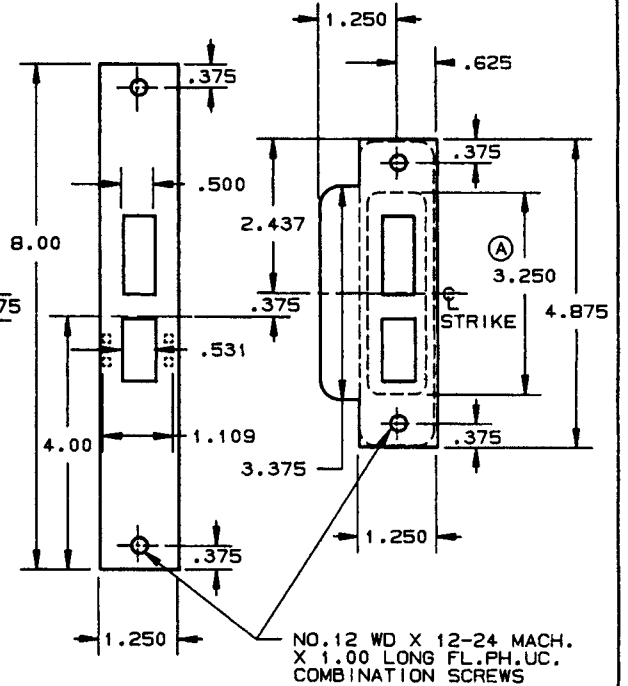
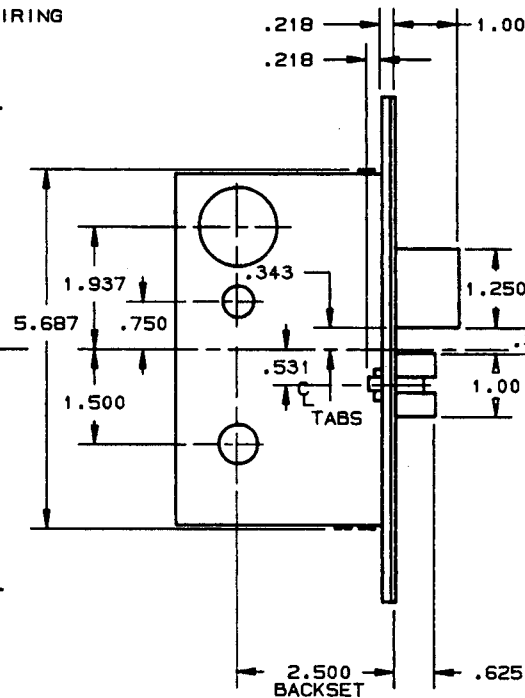
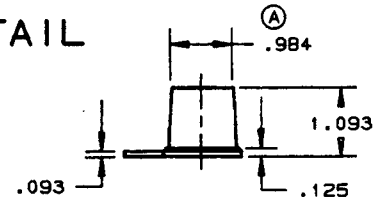
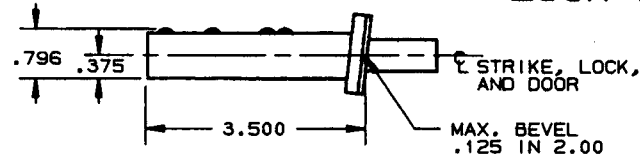
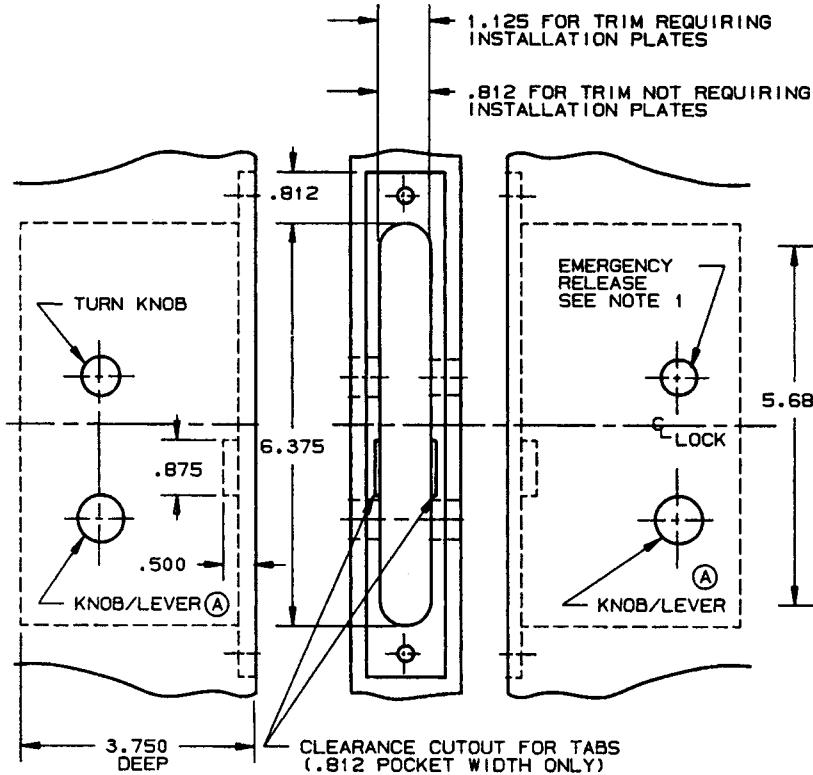


DOOR DETAIL

LOCK DETAIL



INSIDE

OUTSIDE NOTES:

- 1.) FOR PATIO FUNCTION ELIMINATE EMERGENCY RELEASE.
- 2.) SEE SPECIFIC TRIM TEMPLATE FOR ADDITIONAL DOOR CUTOUT DETAILS.

DO NOT SCALE DRAWING

BALDWIN	
6315 AND 6315-LS LOCK (A)	
TEMPLATE NO. VARIATIONS	TEMPLATE NO.
	H158-A

EFFECTIVE: 2-1-90 RAL

SUITABLE REINFORCEMENT BY OTHERS MAY BE REQUIRED FOR METAL AND COMPOSITE CORE DOOR INSTALLATION.