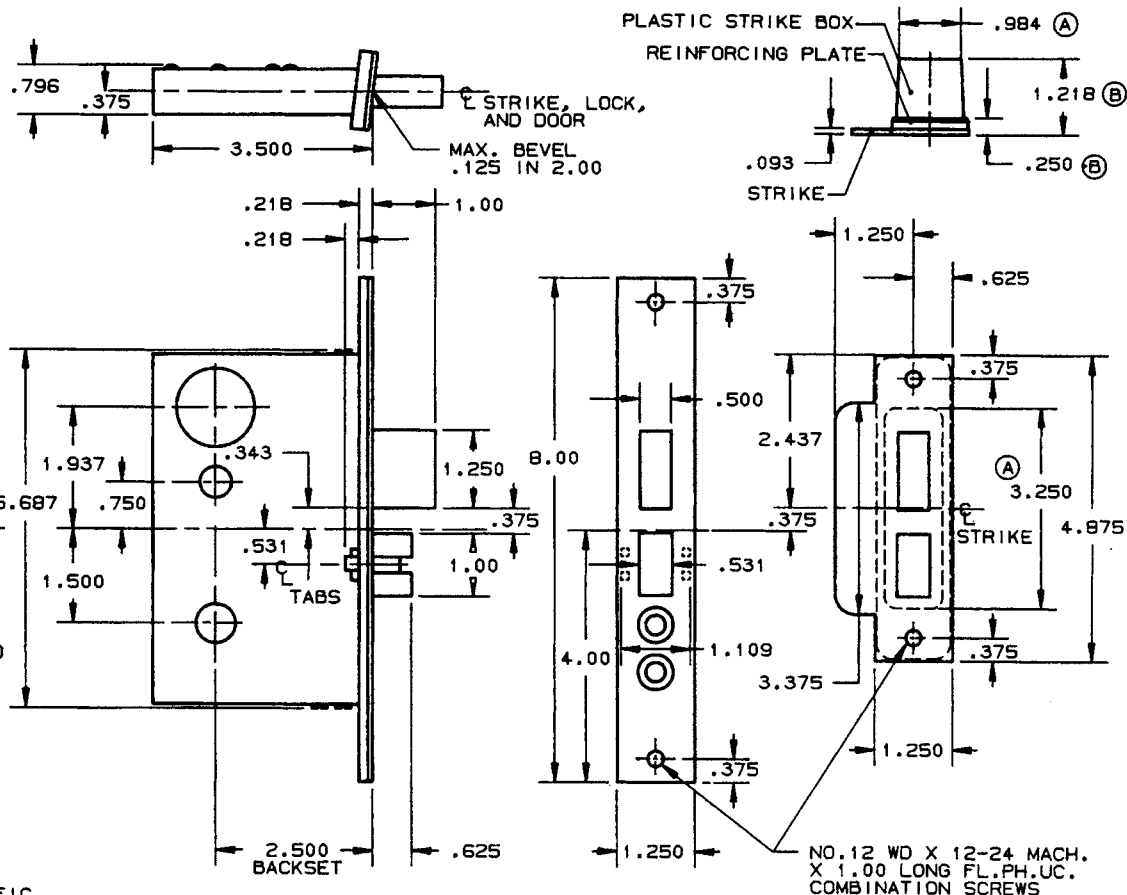
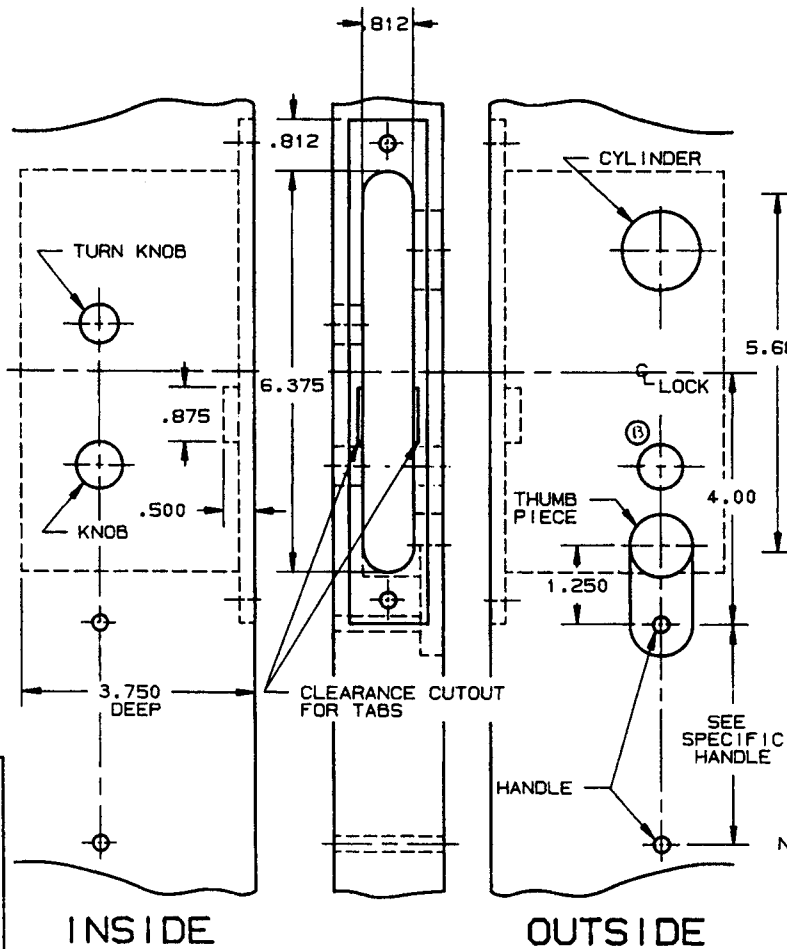


LOCK DETAIL

DOOR DETAIL



- NOTE:
- 1.) SEE SPECIFIC TRIM TEMPLATE FOR ADDITIONAL DOOR CUTOUT DETAILS.
 - 2.) DISCARD REINFORCING PLATE WHEN INSTALLING ON METAL DOORS & JAMBS.

DO NOT SCALE DRAWING

BALDWIN	
6320 AND 6320 LS LOCK	
TEMPLATE NO. VARIATIONS	TEMPLATE NO.
	H160-B

EFFECTIVE 1-31-91