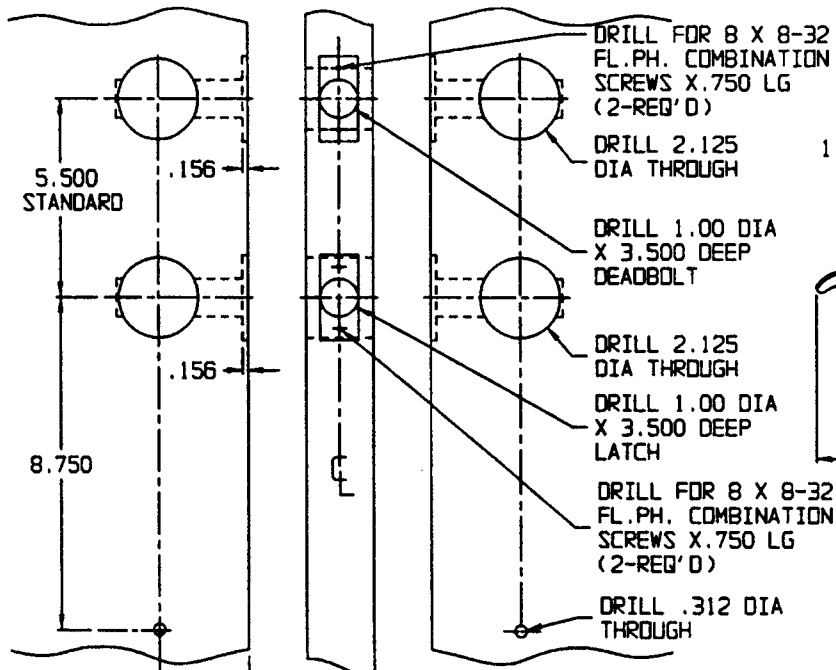
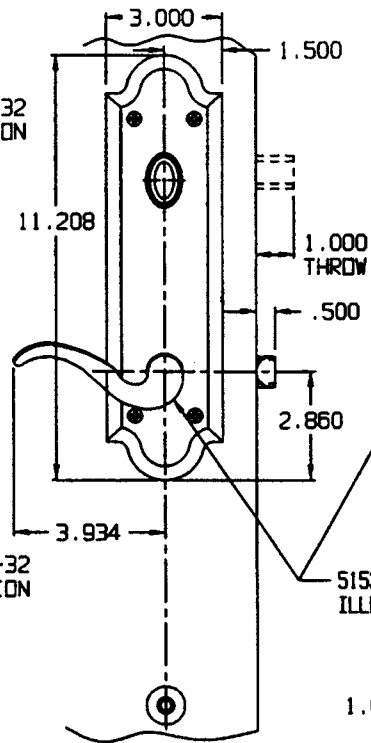


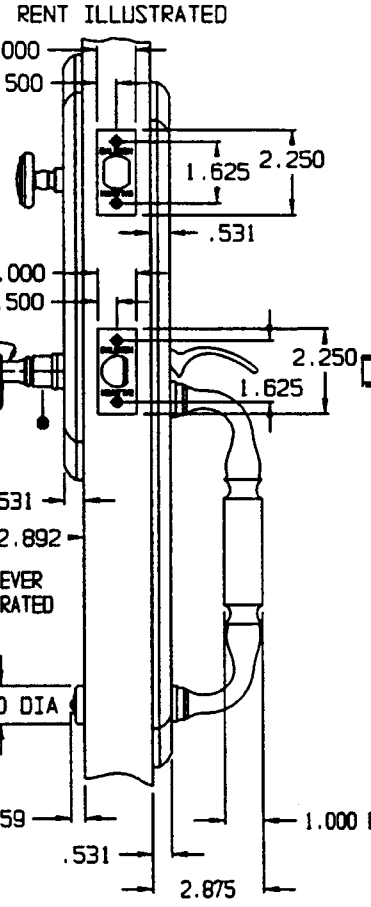
# DOOR DETAIL



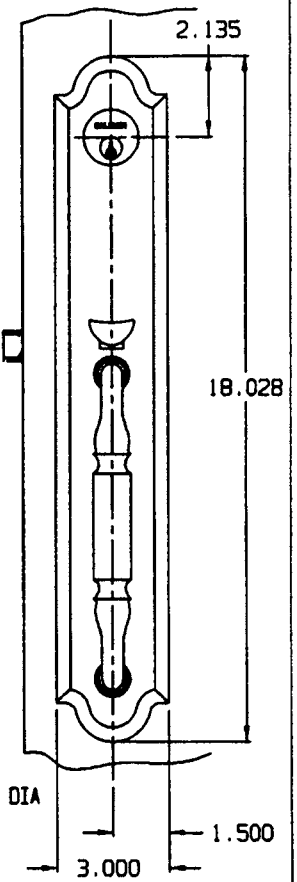
# INSIDE



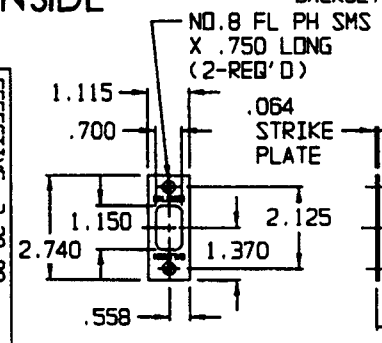
# TRIM DETAIL



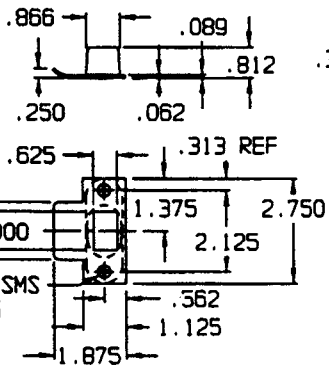
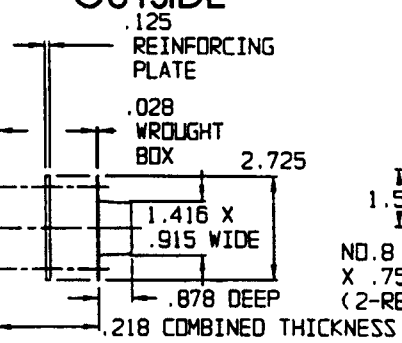
# OUTSIDE



# INSIDE



# OUTSIDE



EFFECTIVE: 3-20-98

DEADBOLT STRIKE, REINFORCEMENT PLATE, & WROUGHT BOX DETAIL

LATCH STRIKE & WROUGHT BOX DETAIL

DO NOT SCALE DRAWING



6401 LENT/RENT

TEMPLATE NO. VARIATIONS

TEMPLATE NO.

© 1998 BY BALDWIN HARDWARE CORPORATION

IM042