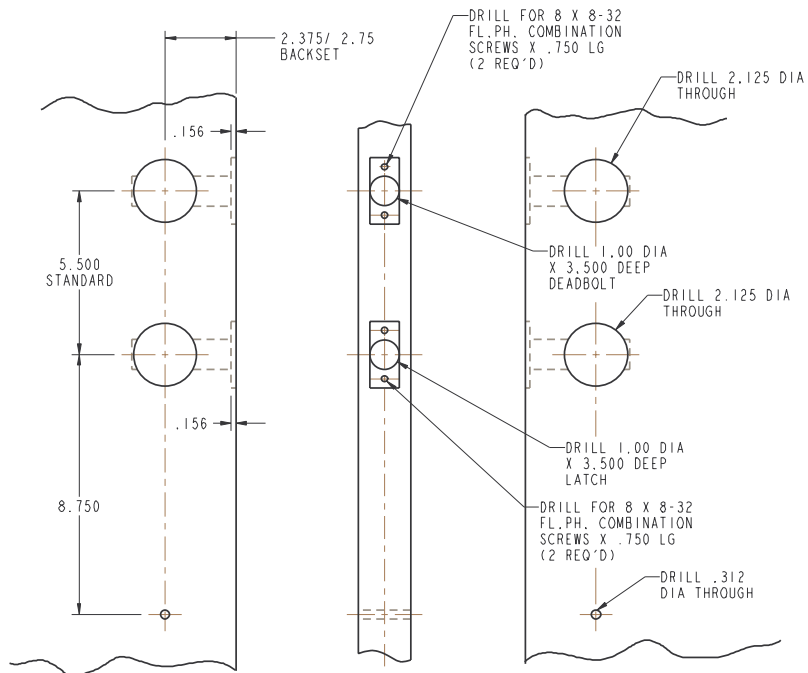


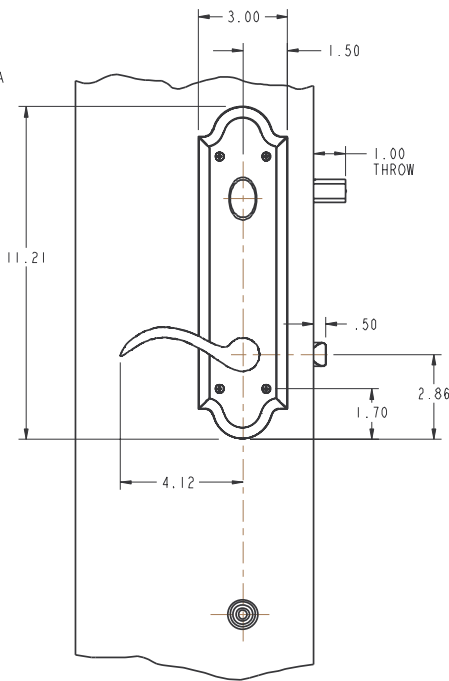
DOOR DETAIL



INSIDE

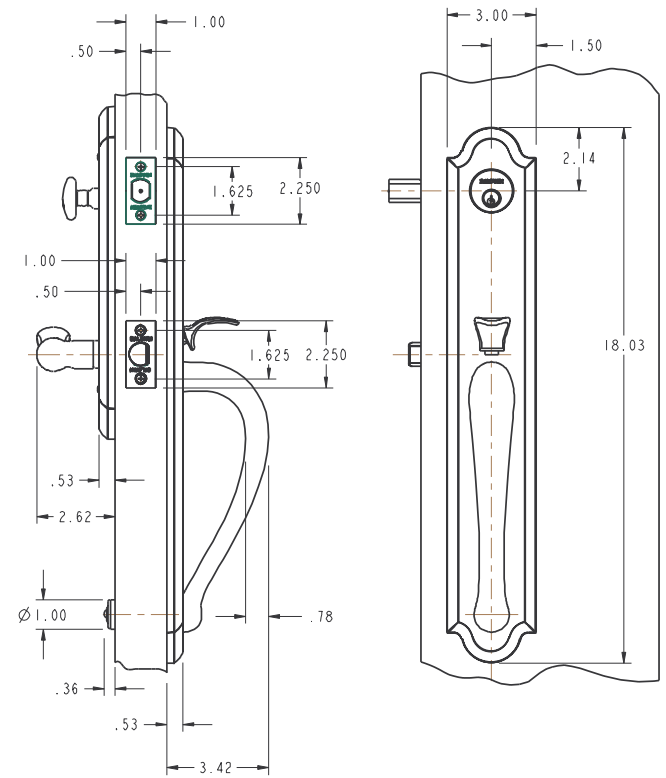
OUTSIDE

INSIDE

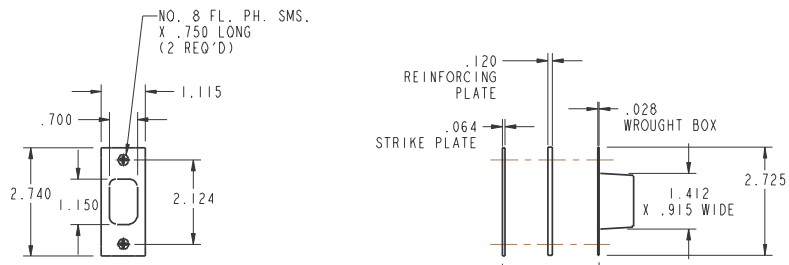


TRIM DETAIL

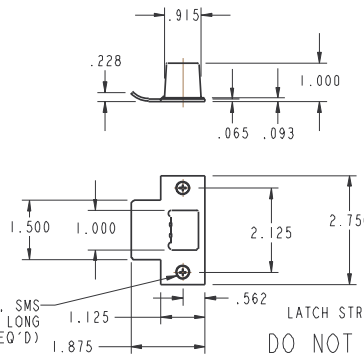
RIGHT HAND ILLUSTRATED



OUTSIDE



DEADBOLT STRIKE, REINFORCEMENT PLATE, & DUST BOX DETAIL



LATCH STRIKE & DUST BOX DETAIL
DO NOT SCALE DRAWING

EFFECTIVE 11/28/06

	BALDWIN HARDWARE CORPORATION <small>READING, PENNSYLVANIA</small>	BLACK & DECKER COMPANY
	6402 LENT/ RENT	
TEMPLATE: NO VARIATIONS		TEMPLATE NO.
©2006 BY BALDWIN HARDWARE CORPORATION		IM064