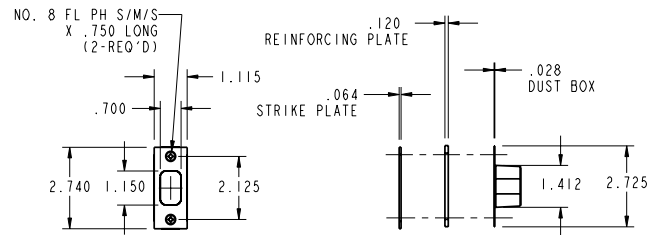
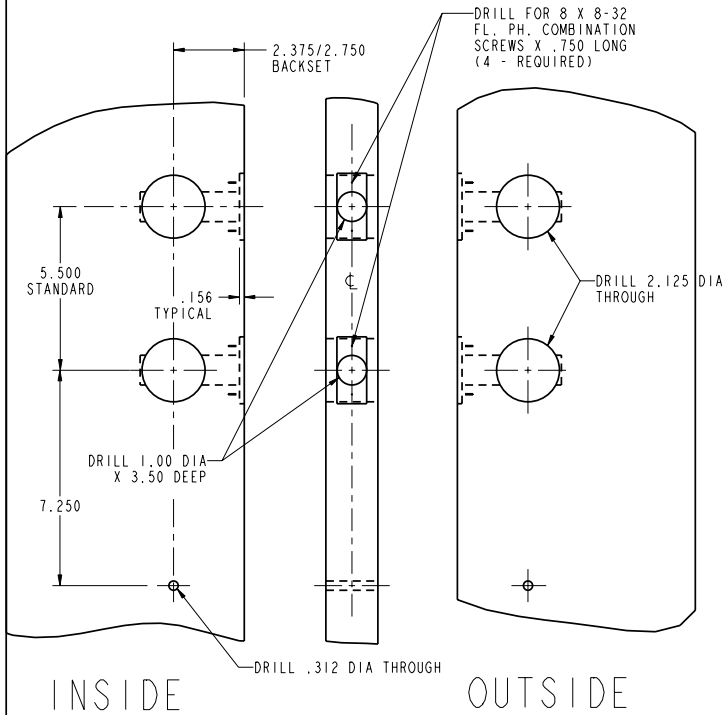
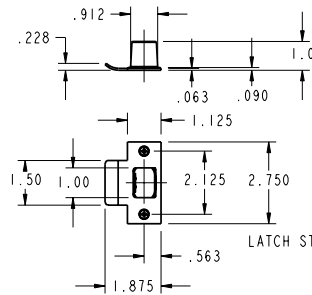


DOOR DETAIL



DEADBOLT STRIKE, REINFORCEMENT PLATE & DUST BOX DETAIL



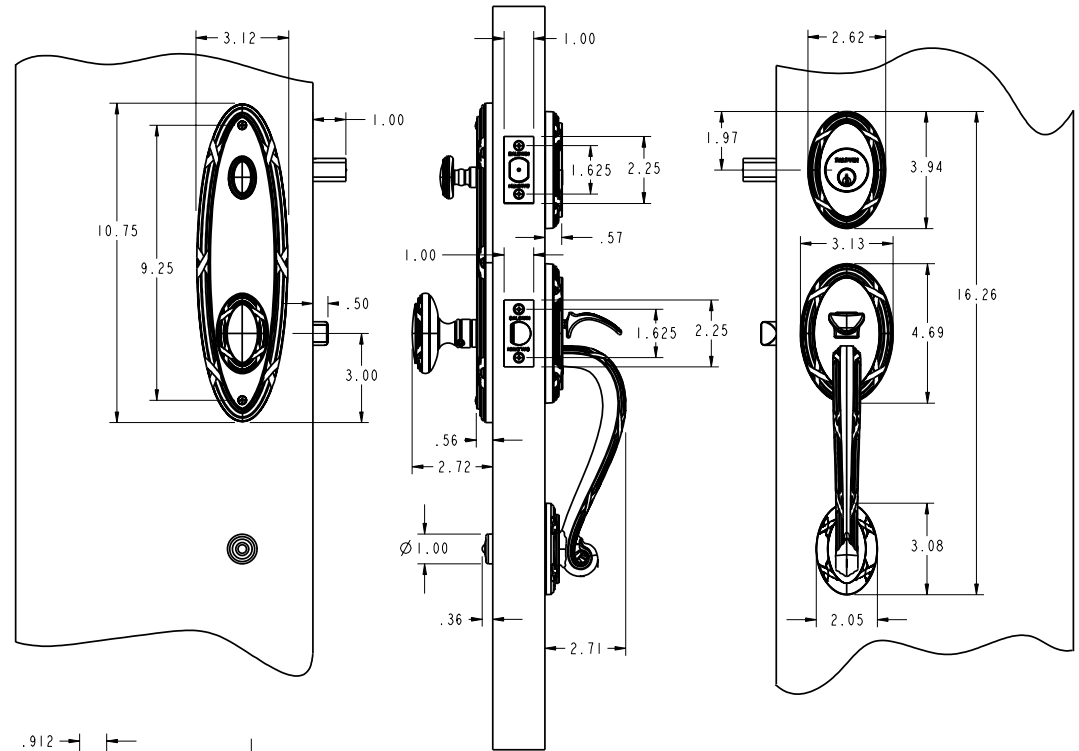
LATCH STRIKE & DUST BOX DETAIL

DO NOT SCALE DRAWING

TRIM DETAIL

INSIDE

OUTSIDE



	BALDWIN HARDWARE CORPORATION <small>READING, PENNSYLVANIA</small>	BLACK & DECKER COMPANY
	6415 - ENTR	
TEMPLATE: NO VARIATIONS		TEMPLATE NO.
©2006 BY BALDWIN HARDWARE CORPORATION		IM068

EFFECTIVE 02/07/07