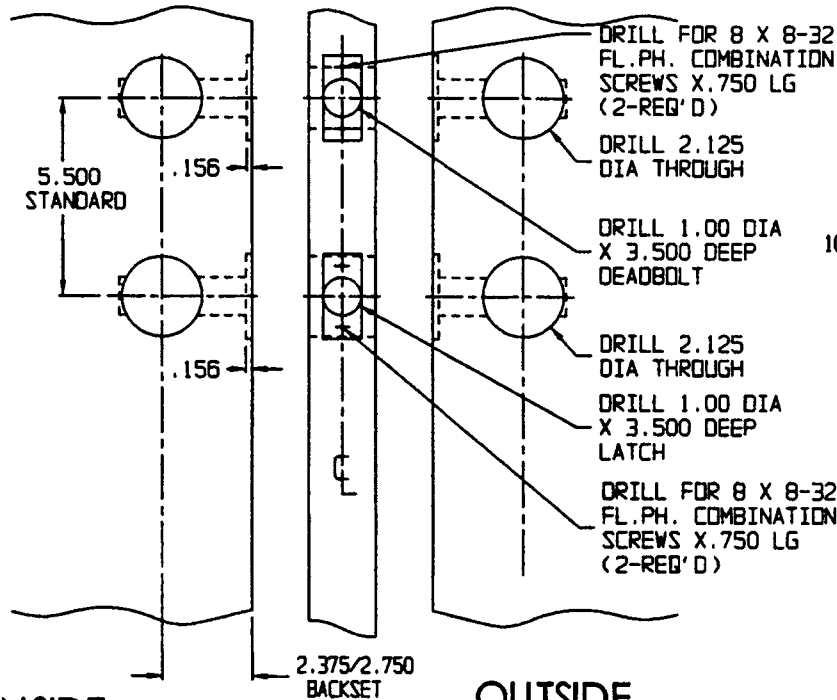
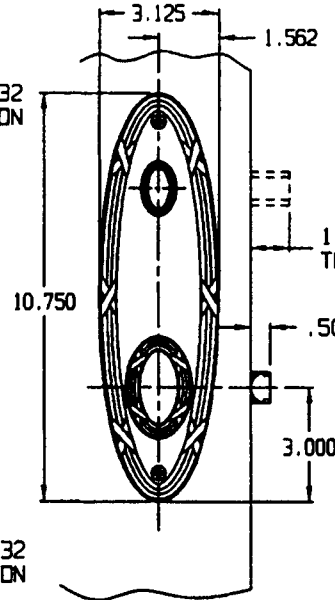


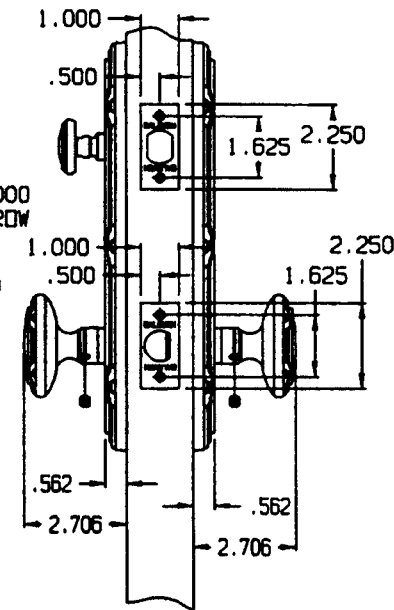
DOOR DETAIL



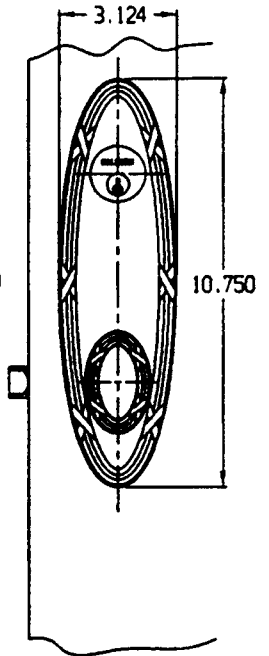
INSIDE



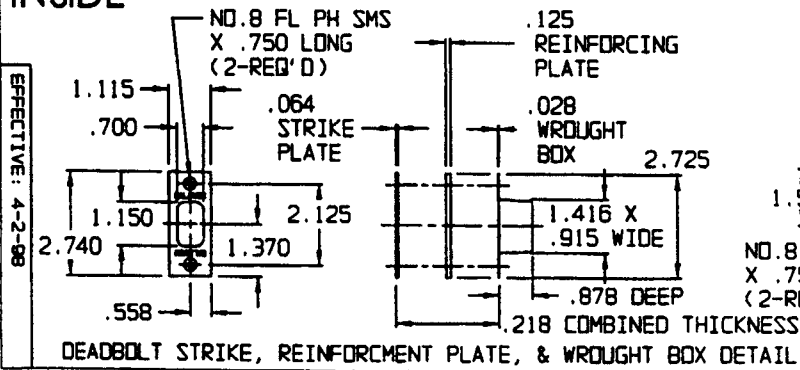
TRIM DETAIL



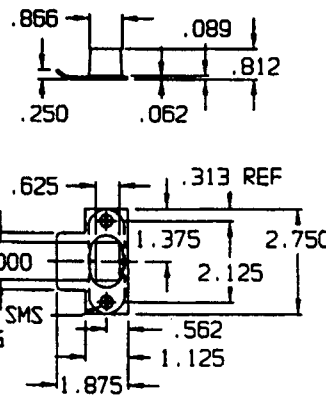
OUTSIDE



INSIDE



OUTSIDE



EFFECTIVE: 4-2-88

DO NOT SCALE DRAWING

B. BALDWIN

6450 ENTR

TEMPLATE NO. VARIATIONS

TEMPLATE NO.

© 1998 BY BALDWIN HARDWARE CORPORATION

IM045