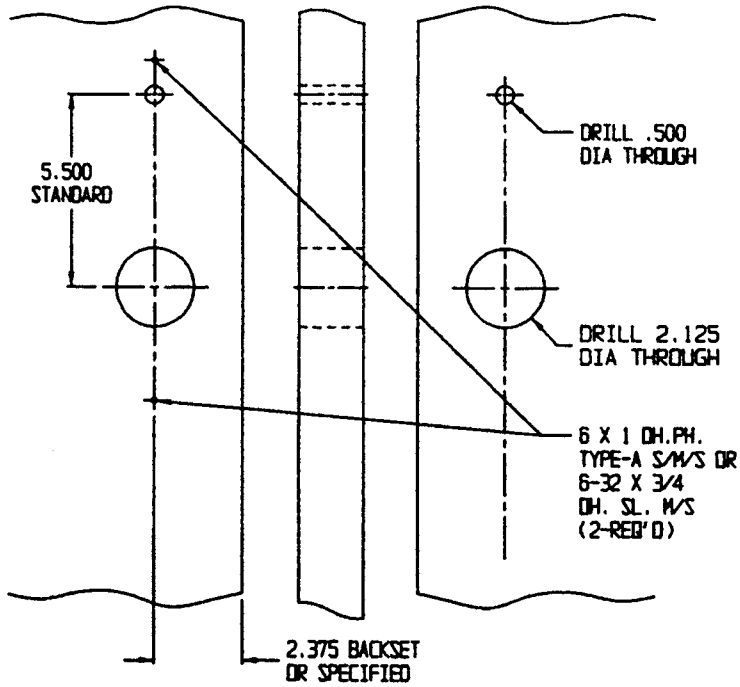


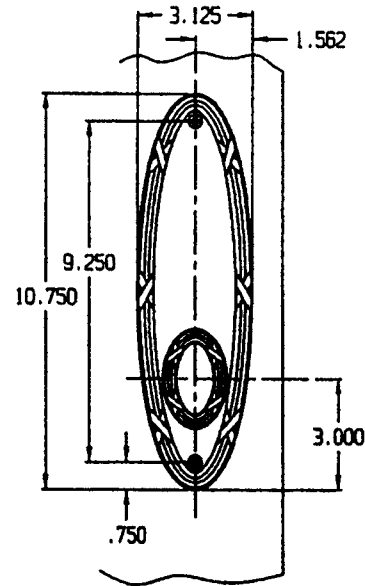
DOOR DETAIL



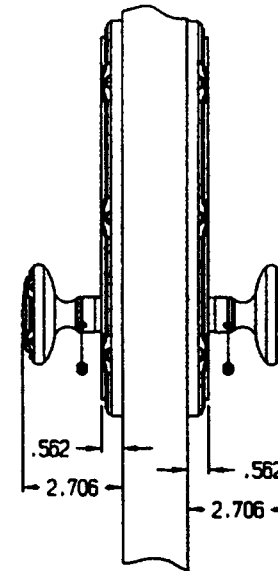
INSIDE

OUTSIDE

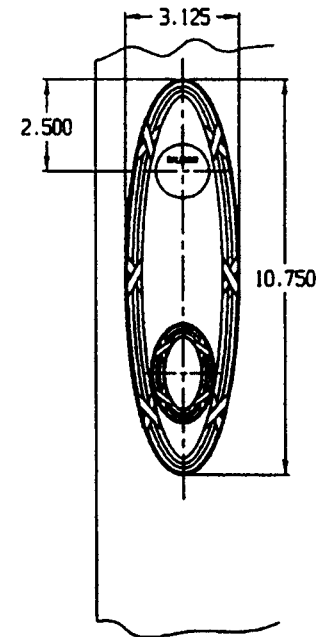
INSIDE



TRIM DETAIL



OUTSIDE



DO NOT SCALE DRAWING

BALDWIN

6450 FD

TEMPLATE NO. VARIATIONS

TEMPLATE NO.

© 1998 BY BALDWIN HARDWARE CORPORATION

IMR048

EFFECTIVE: 7-27-98