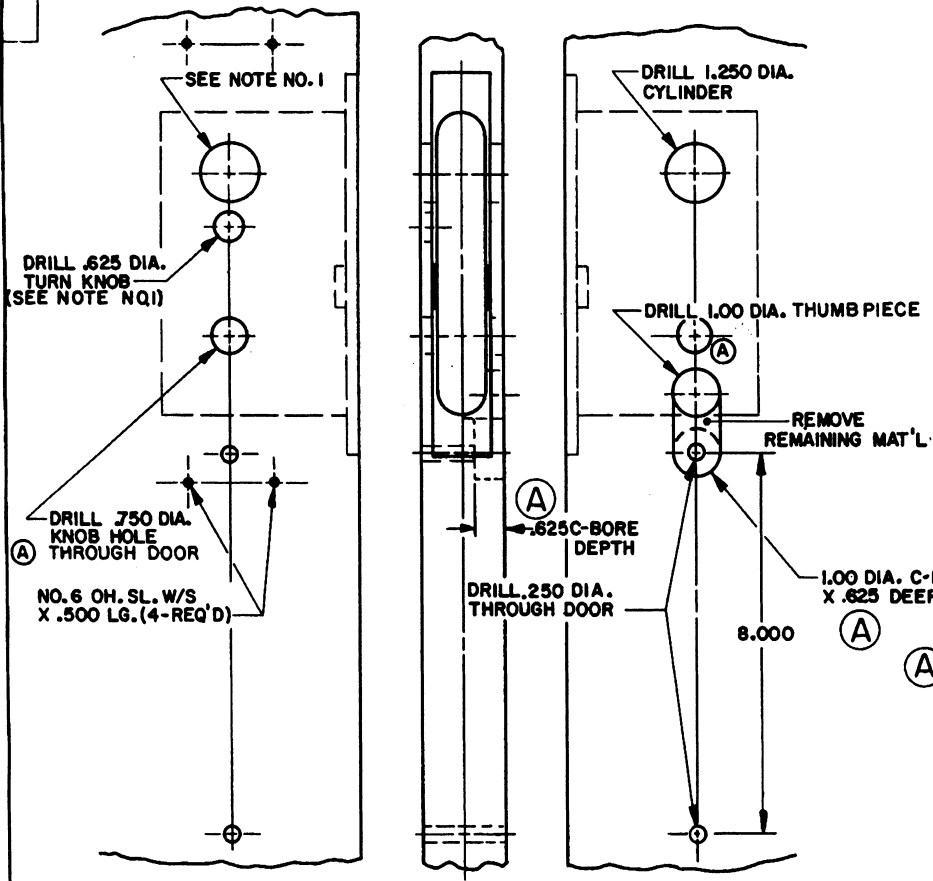


# DOOR DETAIL

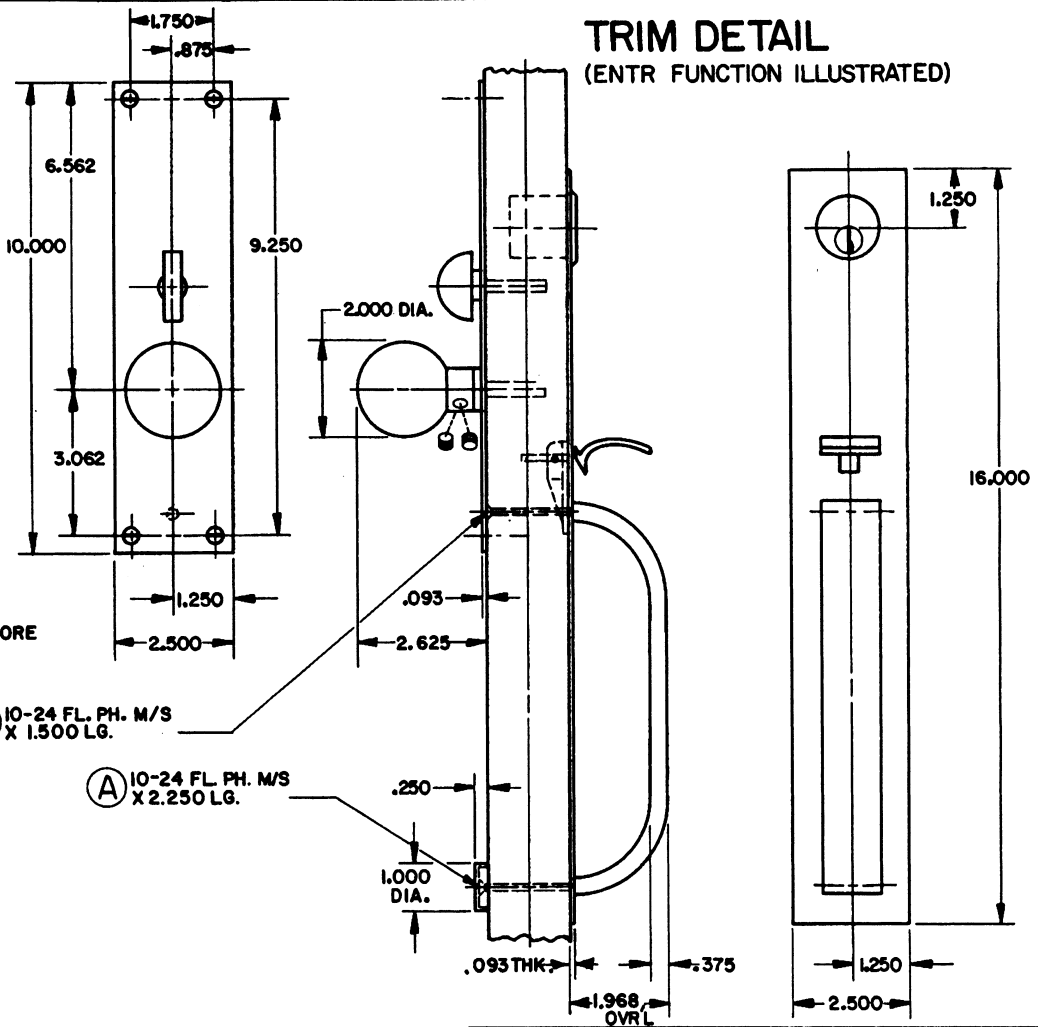


**INSIDE**

**OUTSIDE**

# TRIM DETAIL

(ENTR FUNCTION ILLUSTRATED)



**NOTE:**

- 1.) WHEN PREPARING DOOR FOR DBLC FUNCTION, OMIT DRILLING OF .625 DIA. TURN KNOB HOLE. (INSIDE) DRILL A 1.250 DIA. CYLINDER HOLE INSTEAD, USING SAME CENTER LINE AS OUTSIDE CYLINDER HOLE.
- 2.) DRILL ALL HOLES HALF WAY THROUGH DOOR UNLESS OTHERWISE SPECIFIED.
- 3.) FOR ADDITIONAL LOCK AND DOOR CUTOUT DIMENSIONS, SEE APPROPRIATE LOCK TEMPLATE.
- 4.) INSTALLATION PLATES ARE NOT REQUIRED.

EFFECTIVE: 1-31-91

<b>BALDWIN</b>	
<b>6563 CHICAGO TRIM</b>	
TEMPLATE NO. VARIATIONS	TEMPLATE NO.
	<b>I563-A</b>

**DO NOT SCALE DRAWING**

© 1990 by Baldwin Hardware Corporation