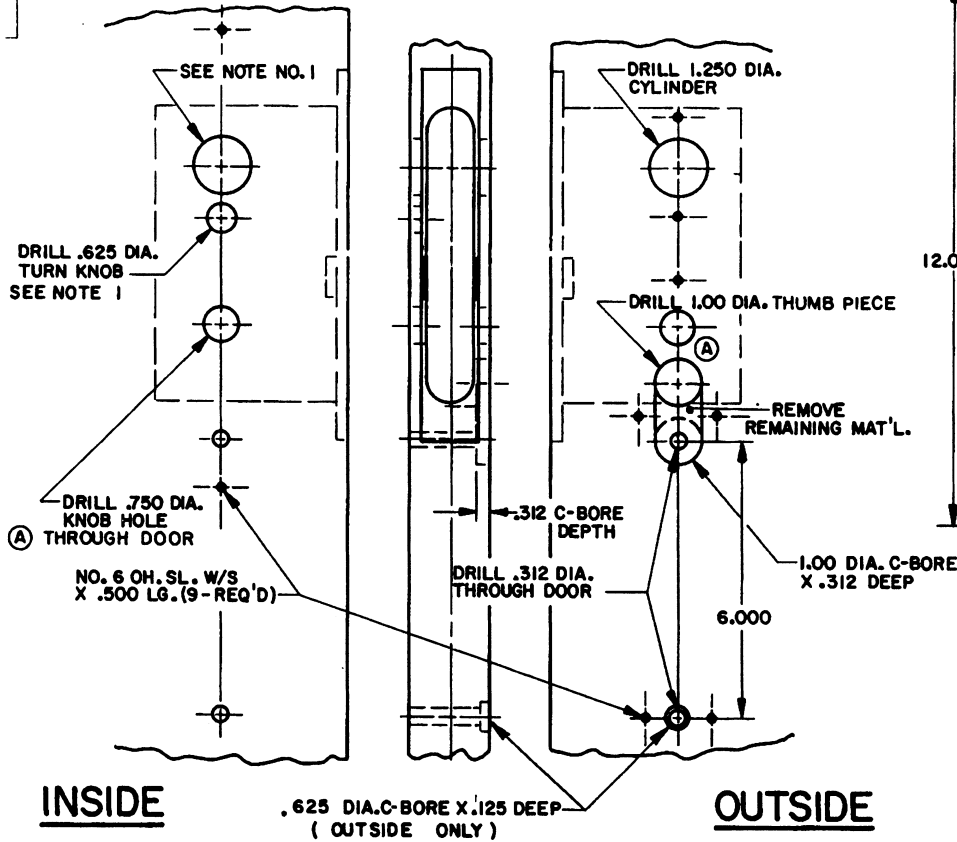
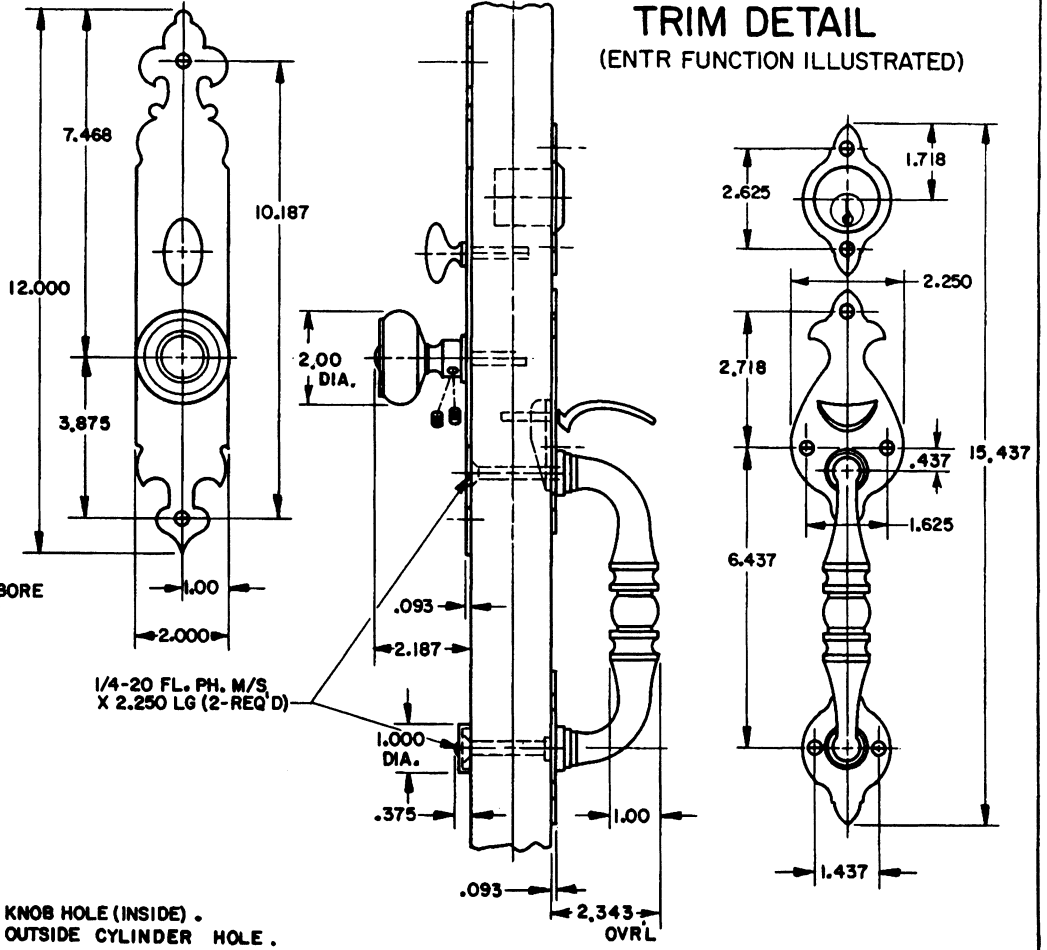


# DOOR DETAIL



# TRIM DETAIL (ENTR FUNCTION ILLUSTRATED)



- NOTE:**
- 1.) WHEN PREPARING DOOR FOR DBLC FUNCTION, OMIT DRILLING OF .625 DIA. TURN KNOB HOLE (INSIDE). DRILL A 1.250 DIA. CYLINDER HOLE INSTEAD, USING SAME CENTER LINE AS OUTSIDE CYLINDER HOLE.
  - 2.) DRILL ALL HOLES HALF WAY THROUGH DOOR UNLESS OTHERWISE SPECIFIED.
  - 3.) FOR ADDITIONAL LOCK AND DOOR CUTOUT DIMENSIONS, SEE APPROPRIATE LOCK TEMPLATE.
  - 4.) INSTALLATION PLATES ARE NOT REQUIRED.

EFFECTIVE: 1-31-91 Baldwin

<b>BALDWIN</b>	
<b>6572 PLYMOUTH TRIM</b>	
TEMPLATE NO. VARIATIONS	TEMPLATE NO.
	<b>I572-A</b>

DO NOT SCALE DRAWING

©1990 by Baldwin Hardware Corporation