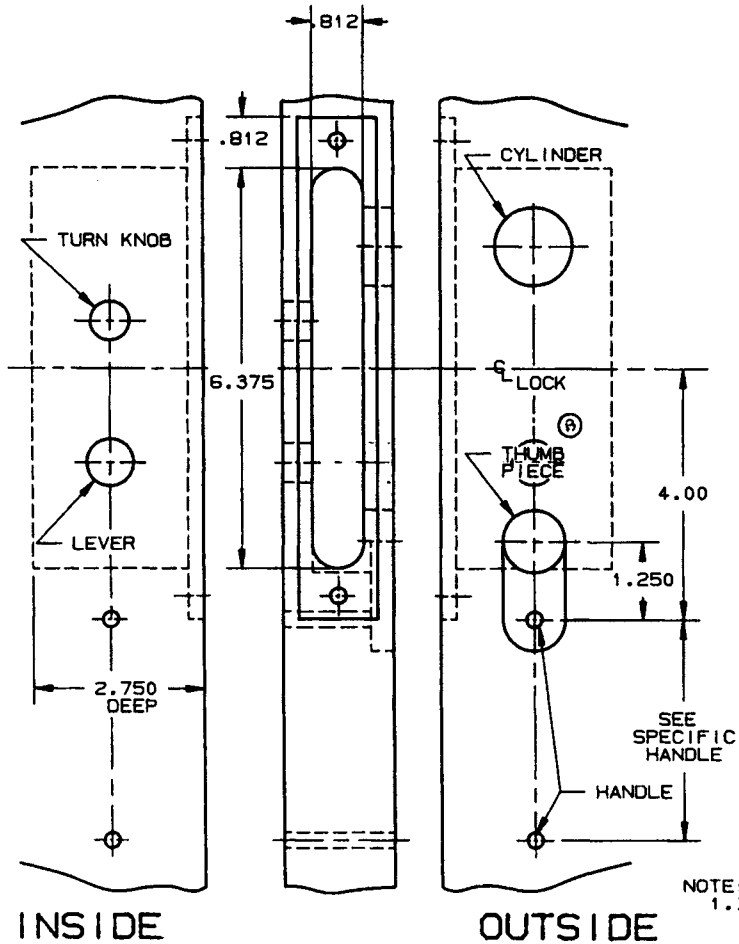
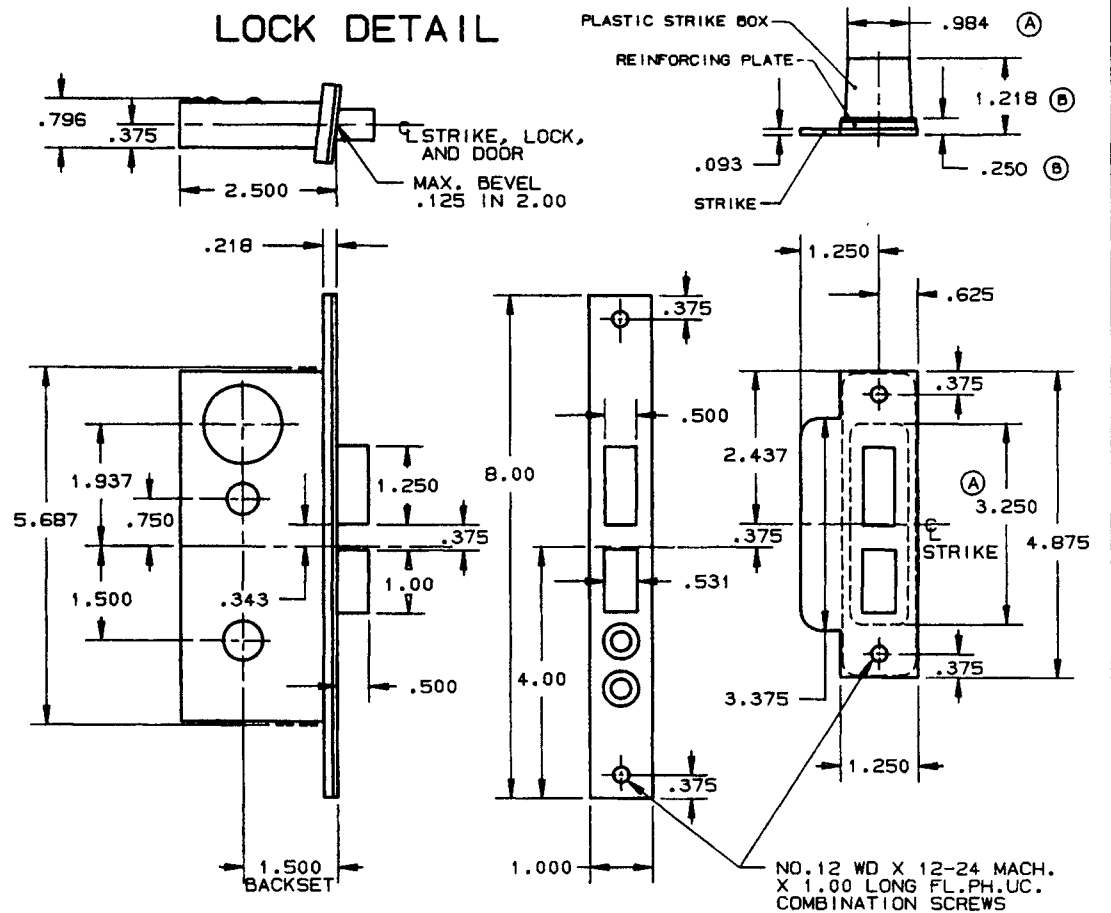


DOOR DETAIL



LOCK DETAIL



NOTE:

- SEE SPECIFIC TRIM TEMPLATE FOR ADDITIONAL DOOR CUTOUT DETAILS.
- DISCARD REINFORCING PLATE WHEN INSTALLING ON METAL DOORS & JAMBS.

DO NOT SCALE DRAWING

BALDWIN	
6830 LEVER, HANDLESET	
TEMPLATE NO. VARIATIONS	TEMPLATE NO.
	H830-B

EFFECTIVE 1-31-91