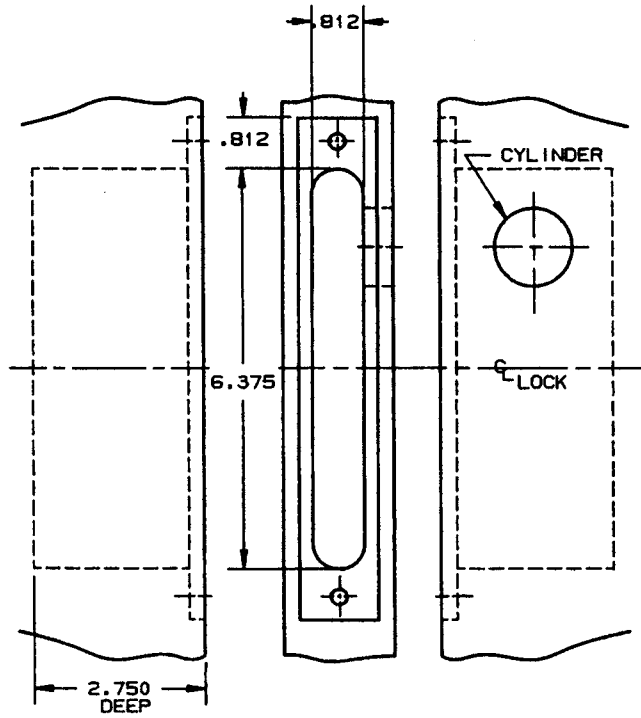
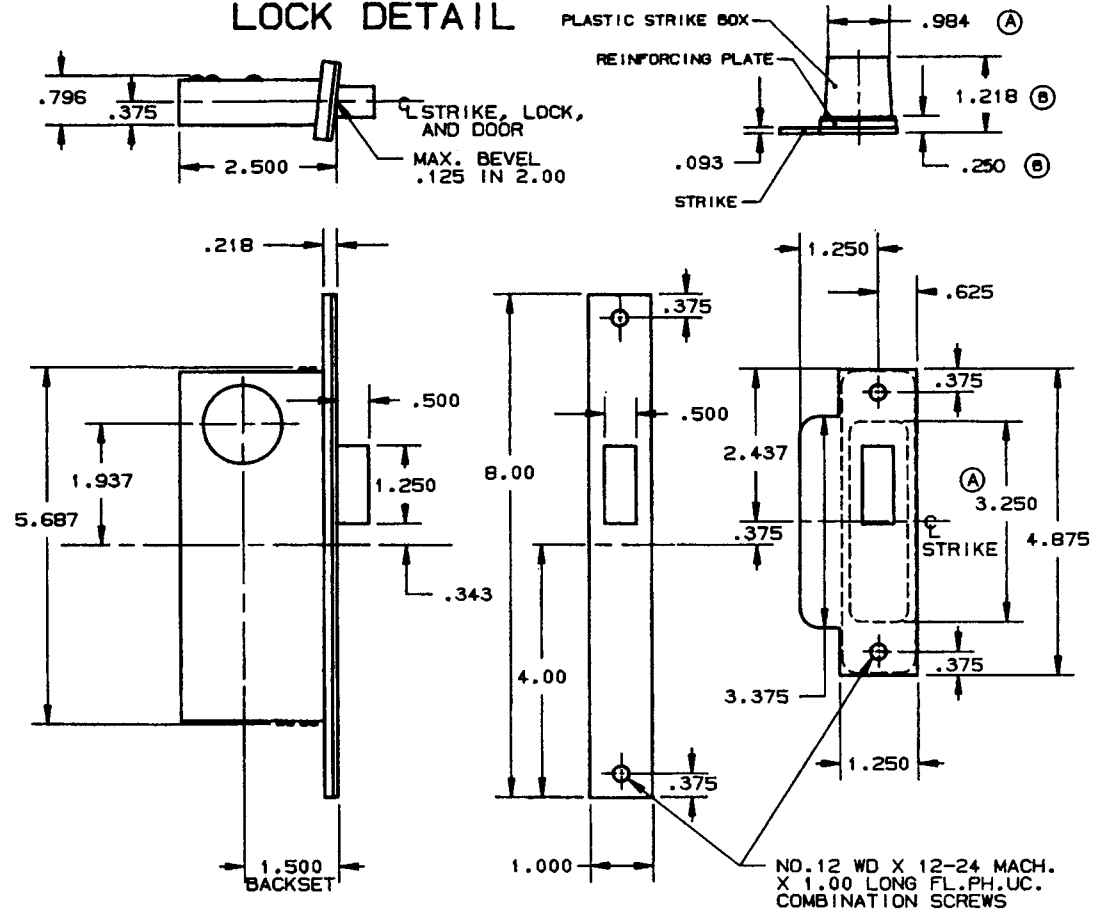


DOOR DETAIL



LOCK DETAIL



NOTE:

- 1.) SEE SPECIFIC TRIM TEMPLATE FOR ADDITIONAL DOOR CUTOUT DETAILS.
- 2.) DISCARD REINFORCING PLATE WHEN INSTALLING ON METAL DOORS & JAMBS.

DO NOT SCALE DRAWING

BALDWIN

6850 SINGLE CYLINDER

TEMPLATE NO. VARIATIONS

TEMPLATE NO.

H850-B

EFFECTIVE 1-31-91-AL