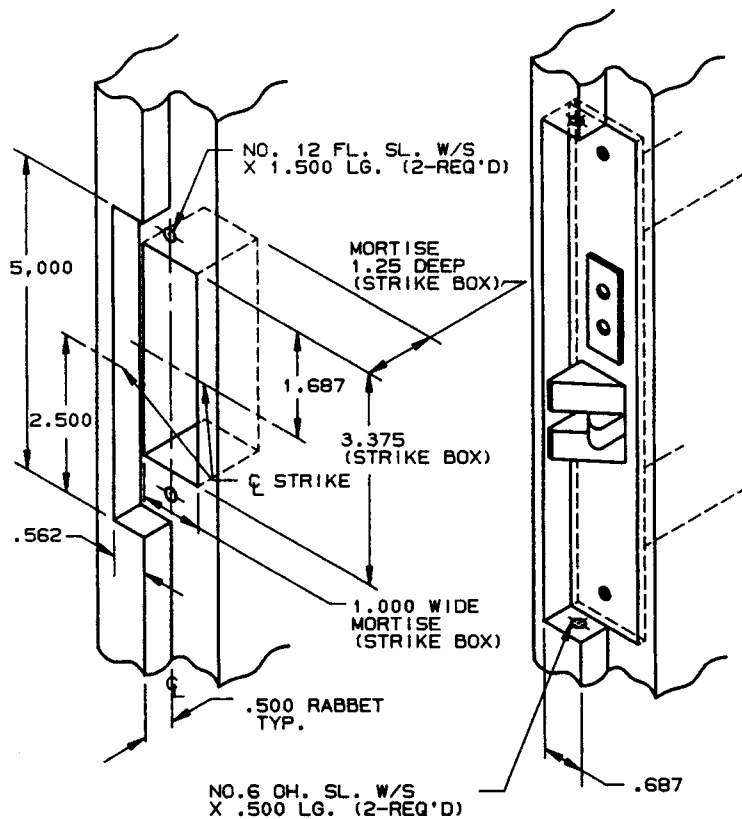
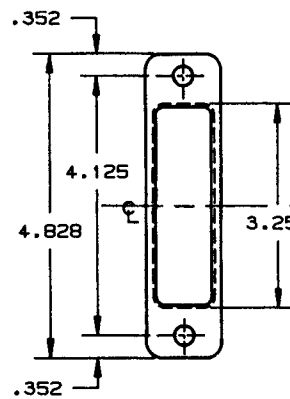
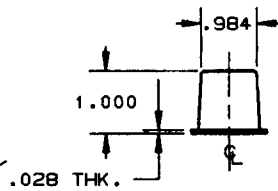


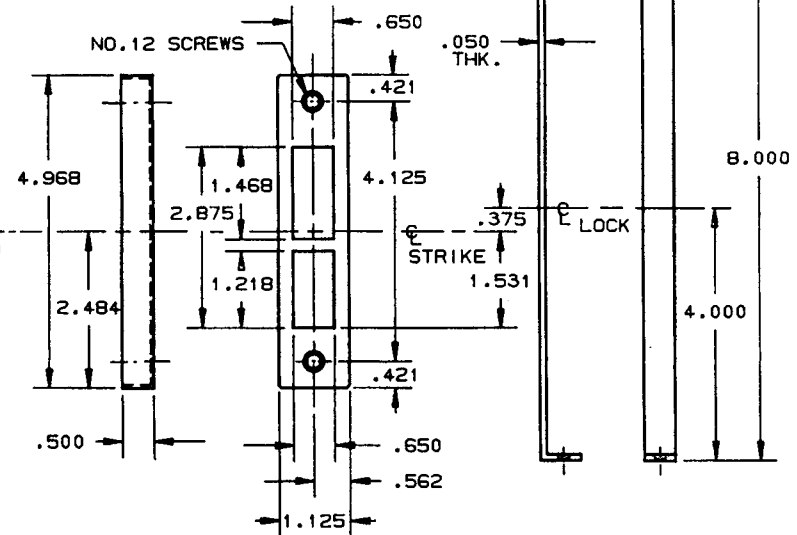
DOOR DETAIL



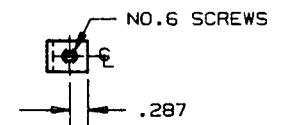
STRIKE BOX



RABBETED STRIKE



RABBETED STRIP



NOTES:

1. RABBETED STRIKE AND STRIP ASSEMBLY TO BE USED ONLY WITH 1.500, 2.000, AND 2.500 BACKSET LOCKS WITH A 1.250 WIDE FRONT.
2. ASSEMBLY AVAILABLE FOR 1.750 THICK DOOR ONLY, AND IS DESIGNED TO FIT A .500 RABBET. (EITHER ON A PAIR OF DOORS OR A SINGLE DOOR WITH A RABBETTED JAMB.)

DO NOT SCALE DRAWING

BALDWIN

6897 RABBETED STRIKE

TEMPLATE NO. VARIATIONS

TEMPLATE NO.

H897

EFFECTIVE: 2-1-90 RALG