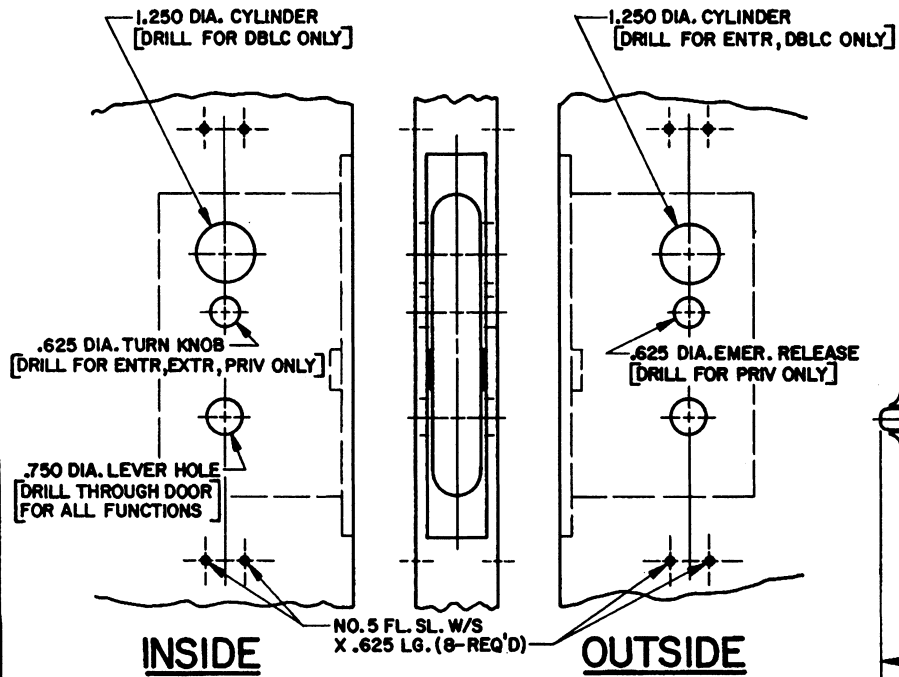
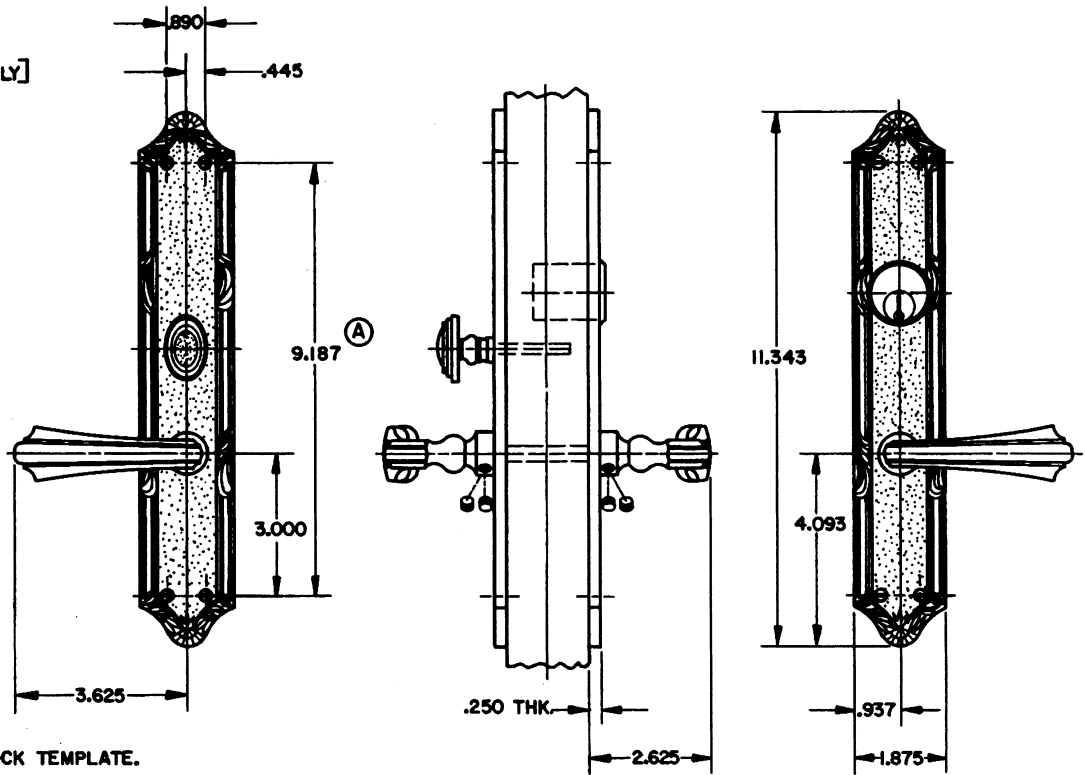


DOOR DETAIL

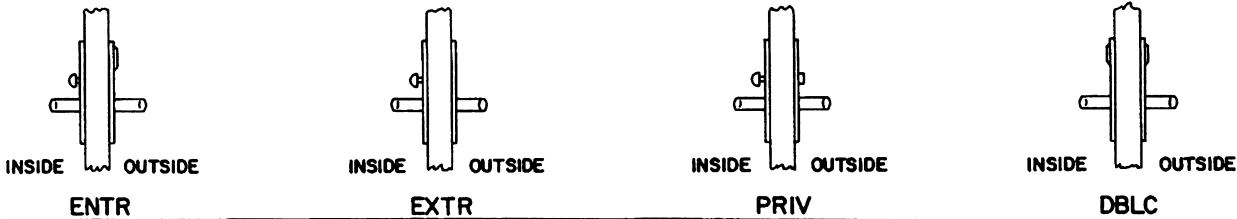


TRIM DETAIL (ENTR FUNCTION ILLUSTRATED)



- NOTE:
- 1.) FOR ADDITIONAL LOCK AND DOOR CUTOUT DIMENSIONS, SEE APPROPRIATE LOCK TEMPLATE.
 - 2.) DRILL ALL HOLES HALFWAY THROUGH DOOR UNLESS OTHERWISE SPECIFIED.
 - 3.) TO ENABLE EMERGENCY TRIM TO FUNCTION, THE TURN PIECE SPINDLE MUST BE CUT TO EXTEND NO FURTHER THAN HALF WAY THROUGH THE LOCK.
 - 4.) INSTALLATION PLATES ARE NOT REQUIRED FOR THIS TRIM.

EFFECTIVE: 2-1-90 R.A.S.



DO NOT SCALE DRAWING

BALDWIN	
6922 LAKEWOOD TRIM	
TEMPLATE NO. VARIATIONS	TEMPLATE NO.
	1077-A

© 1990 by Baldwin Hardware Corporation