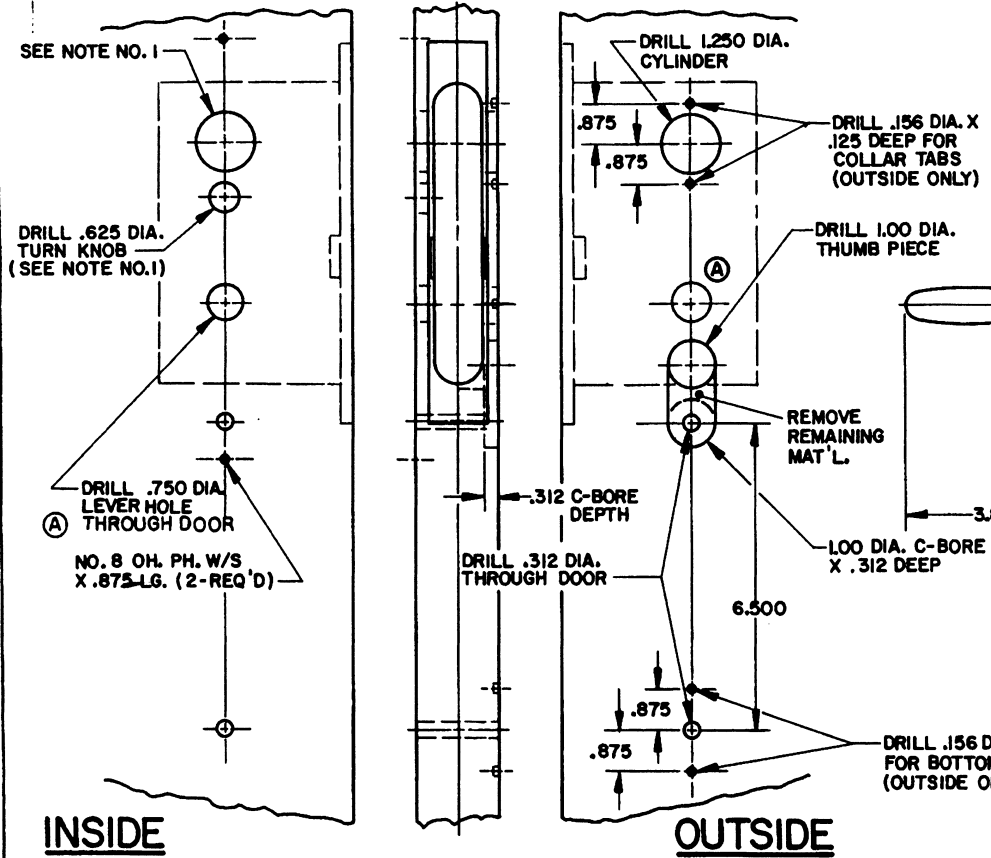
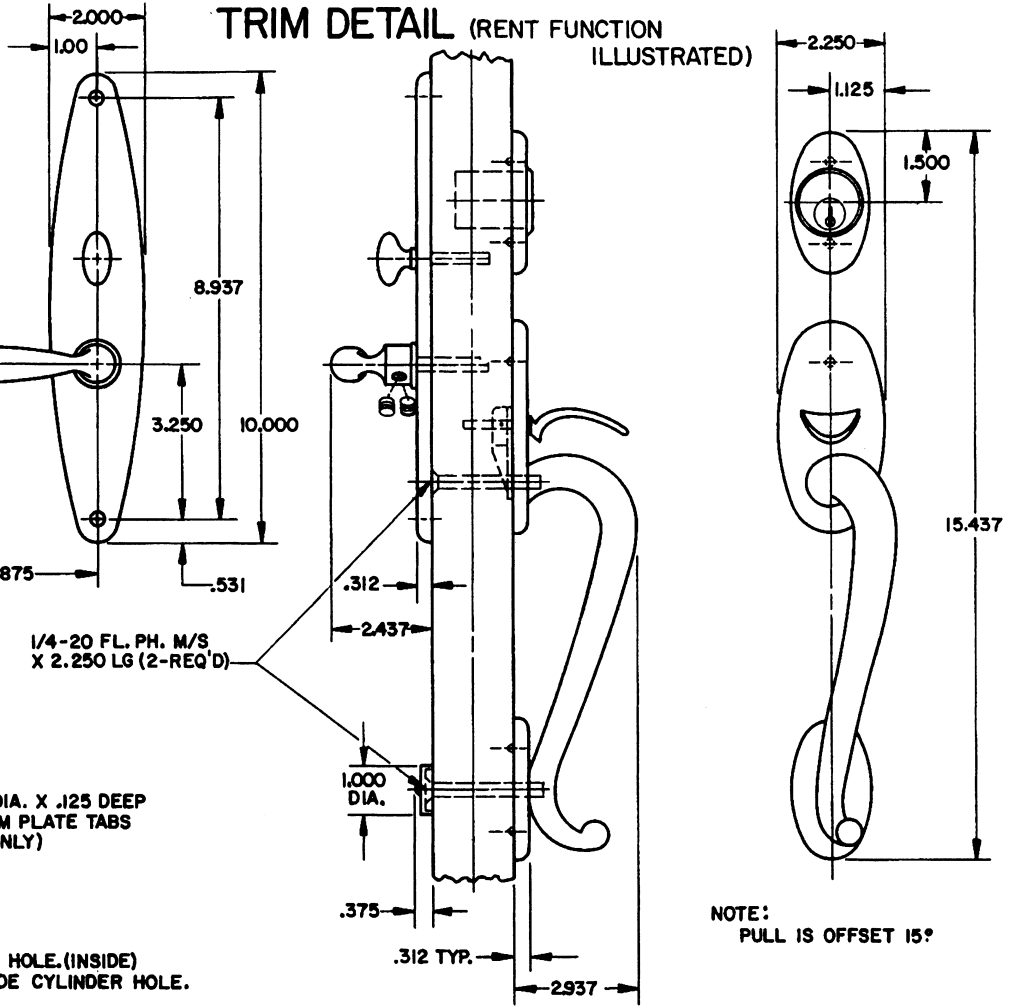


DOOR DETAIL



TRIM DETAIL (RENT FUNCTION ILLUSTRATED)



- NOTE:**
- 1.) WHEN PREPARING DOOR FOR RDBL FUNCTION, OMIT DRILLING OF .625 DIA. TURN KNOB HOLE. (INSIDE) DRILL A 1.250 DIA. CYLINDER HOLE INSTEAD, USING SAME CENTER LINE AS OUTSIDE CYLINDER HOLE.
 - 2.) DRILL ALL HOLES HALFWAY THROUGH DOOR UNLESS OTHERWISE SPECIFIED.
 - 3.) FOR ADDITIONAL LOCK AND DOOR CUTOUT DIMENSIONS, SEE APPROPRIATE LOCK TEMPLATE.
 - 4.) INSTALLATION PLATES ARE NOT REQUIRED FOR THIS TRIM.

EFFECTIVE: 1-31-91 R.M.-9

BALDWIN	
6937 CHARLOTTE TRIM	
TEMPLATE NO. VARIATIONS	TEMPLATE NO.
	I086-A

DO NOT SCALE DRAWING

© 1986 by Baldwin Hardware Corporation