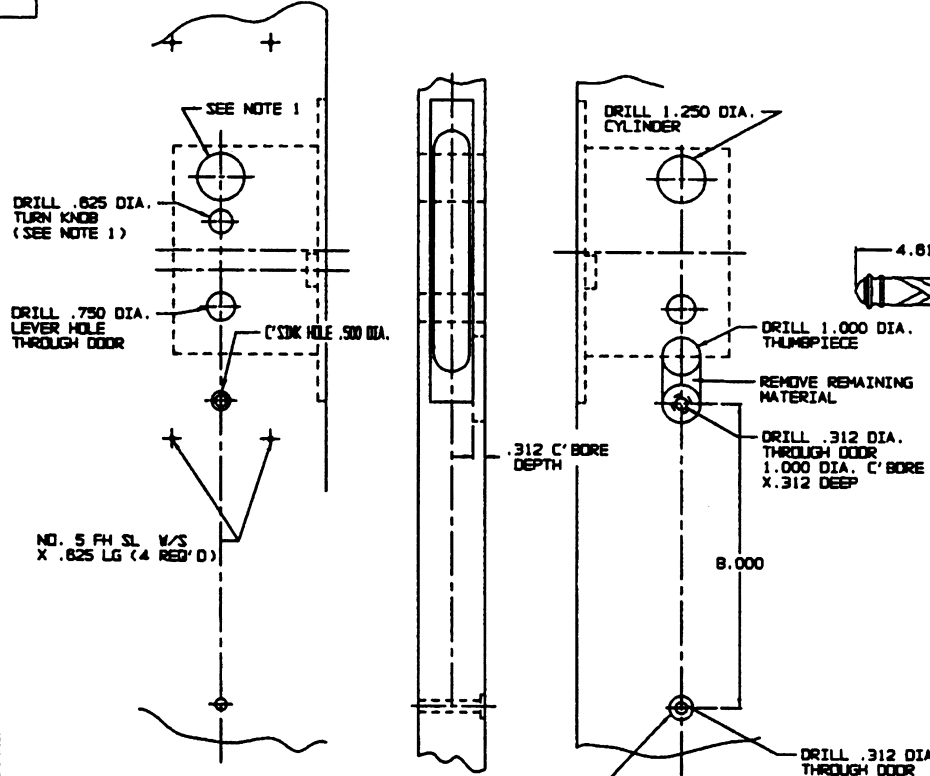


# DOOR DETAIL

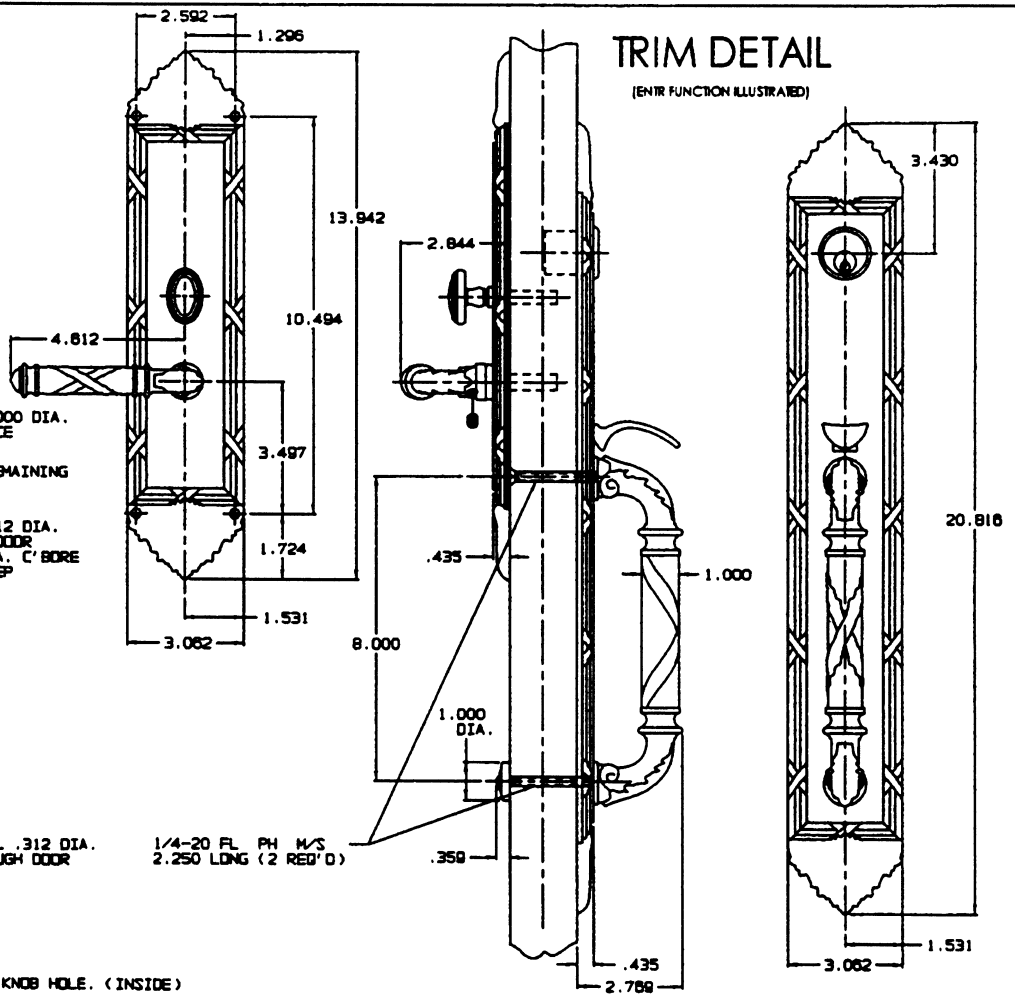


INSIDE

OUTSIDE

# TRIM DETAIL

(ENTR FUNCTION ILLUSTRATED)



- NOTE:
- 1.) WHEN PREPARING DOOR FOR DBL FUNCTION, OMIT DRILLING OF .625 DIA. TURN KNOB HOLE. (INSIDE)  
DRILL A 1.250 DIA. CYLINDER HOLE INSTEAD, USING THE SAME CENTER LINE AS THE OUTSIDE CYLINDER HOLE.
  - 2.) DRILL ALL HOLES HALF WAY THROUGH DOOR UNLESS OTHERWISE SPECIFIED.
  - 3.) FOR ADDITIONAL LOCK AND DOOR CUTOUT DIMENSIONS, SEE APPROPRIATE LOCK TEMPLATE.
  - 4.) INSTALLATION PLATES ARE NOT REQUIRED FOR THIS TRIM.

EFFECTIVE: 3-20-98

DO NOT SCALE DRAWING

<b>BALDWIN</b>	
<b>6952 EDINBURGH</b>	
TEMPLATE NO. VARIATIONS	TEMPLATE NO.
	<b>1117</b>
© 1998 BY BALDWIN HARDWARE CORPORATION	