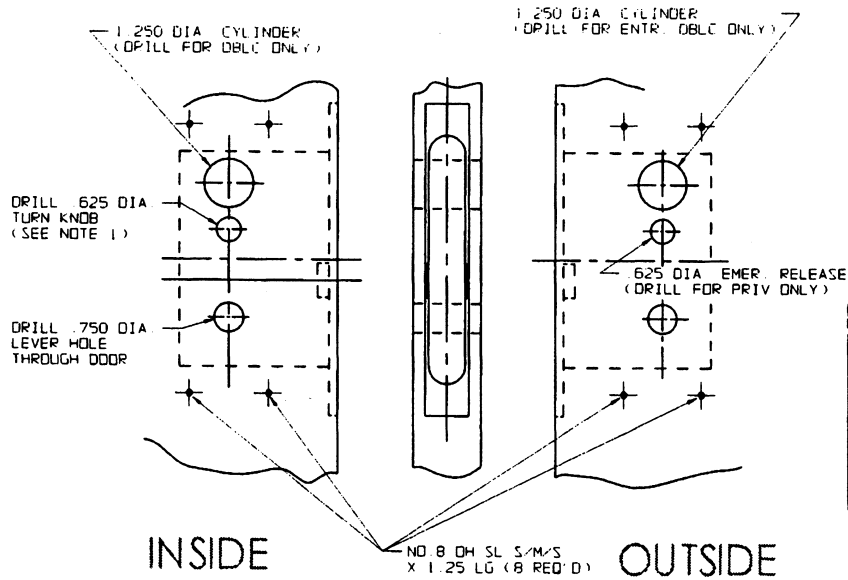
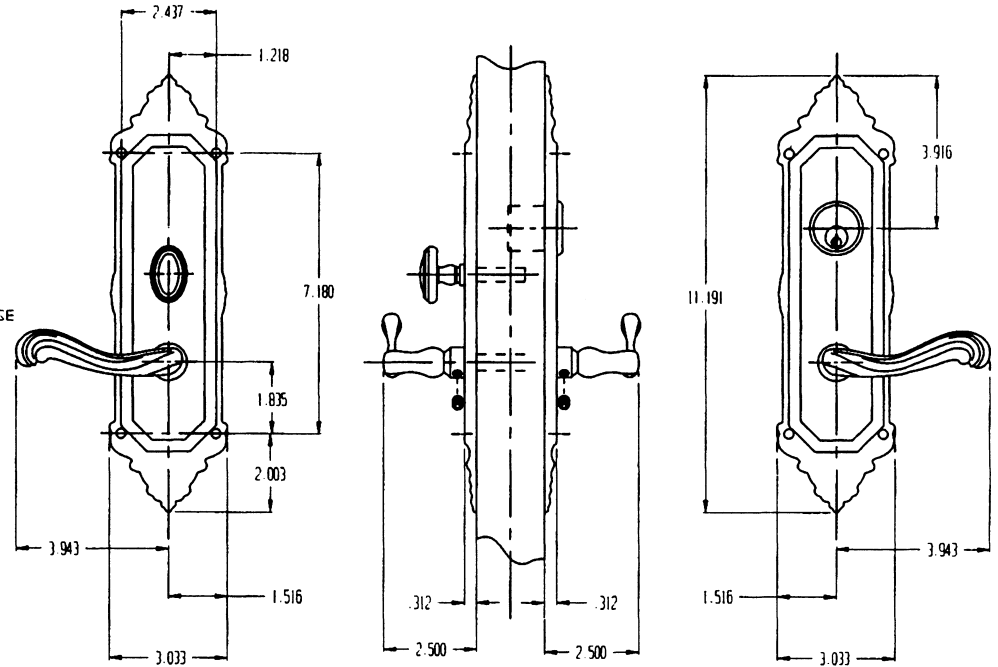


DOOR DETAIL

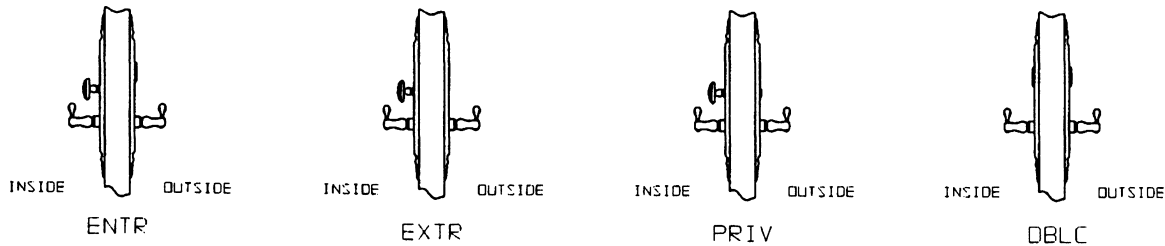


TRIM DETAIL



- NOTE
- FOR ADDITIONAL LOCK AND DOOR CUTOUT DIMENSIONS, SEE APPROPRIATE LOCK TEMPLATE
 - DRILL ALL HOLES HALF WAY THROUGH DOOR UNLESS OTHERWISE SPECIFIED.
 - TO ENABLE EMERGENCY TRIM TO FUNCTION, THE TURNPIECE SPINDLE MUST BE CUT TO EXTEND NO FARTHER THAN HALF WAY THROUGH THE LOCK
 - INSTALLATION PLATES ARE NOT REQUIRED FOR THIS TRIM

EFFECTIVE 2-3-97



DO NOT SCALE DRAWING

B. BALDWIN

6961 WESTMINSTER

TEMPLATE NO. VARIATIONS

TEMPLATE NO.

© 1992 BY BALDWIN HARDWARE CORPORATION

11 26