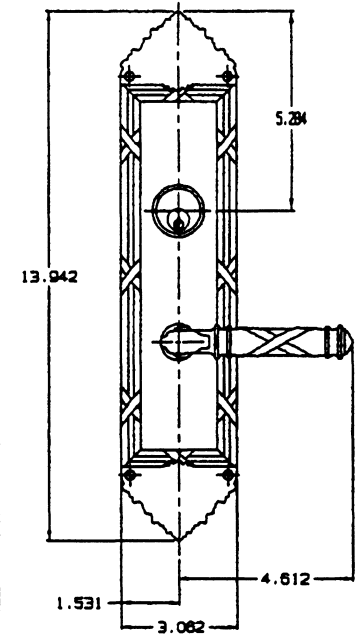
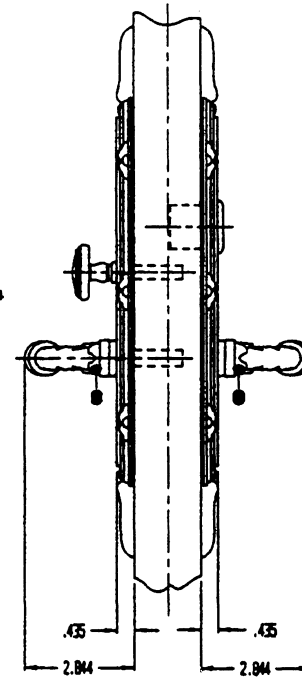
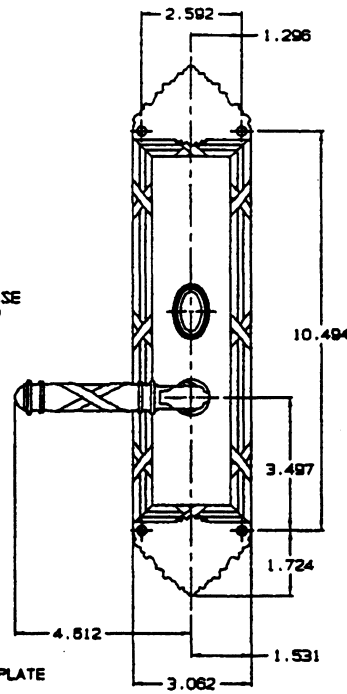
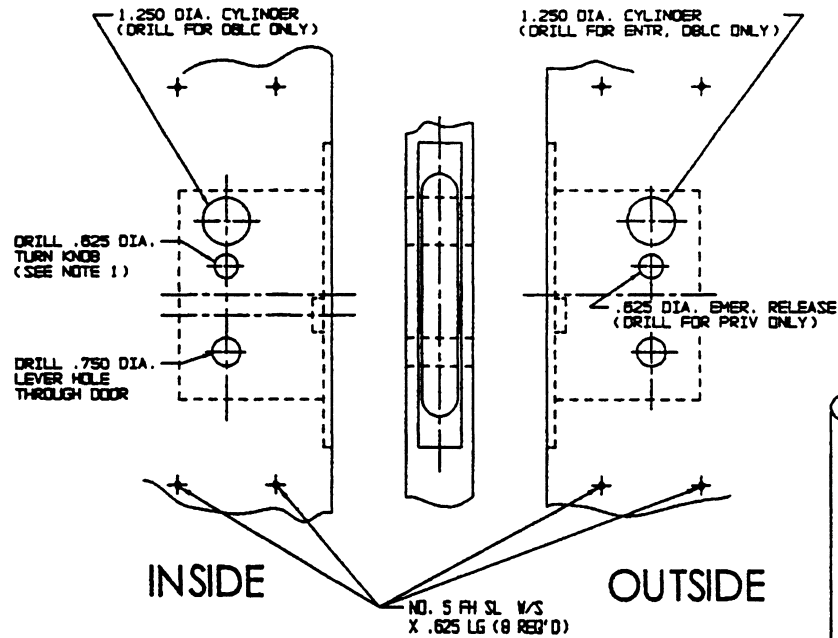


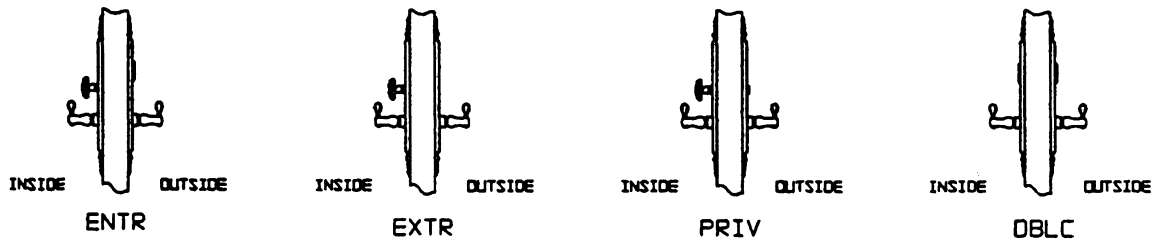
DOOR DETAIL

TRIM DETAIL



- NOTE:
- 1.) FOR ADDITIONAL LOCK AND DOOR CUTOUT DIMENSIONS, SEE APPROPRIATE LOCK TEMPLATE
 - 2.) DRILL ALL HOLES HALF WAY THROUGH DOOR UNLESS OTHERWISE SPECIFIED.
 - 3.) TO ENABLE EMERGENCY TRIM TO FUNCTION, THE TURNPIECE SPINDLE MUST BE CUT TO EXTEND NO FARTHER THAN HALF WAY THROUGH THE LOCK.
 - 4.) INSTALLATION PLATES ARE NOT REQUIRED FOR THIS TRIM.

EFFECTIVE: 3-20-98



DO NOT SCALE DRAWING

BALDWIN

6962 FENWICK

TEMPLATE NO. VARIATIONS

TEMPLATE NO.

© 1998 BY BALDWIN HARDWARE CORPORATION

11 27A