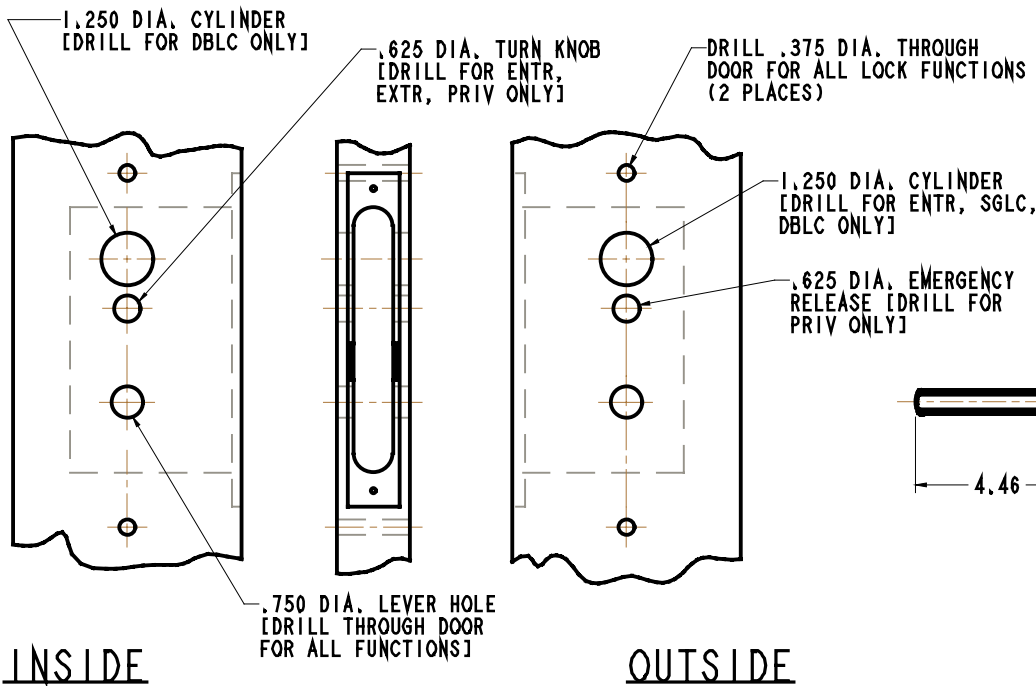
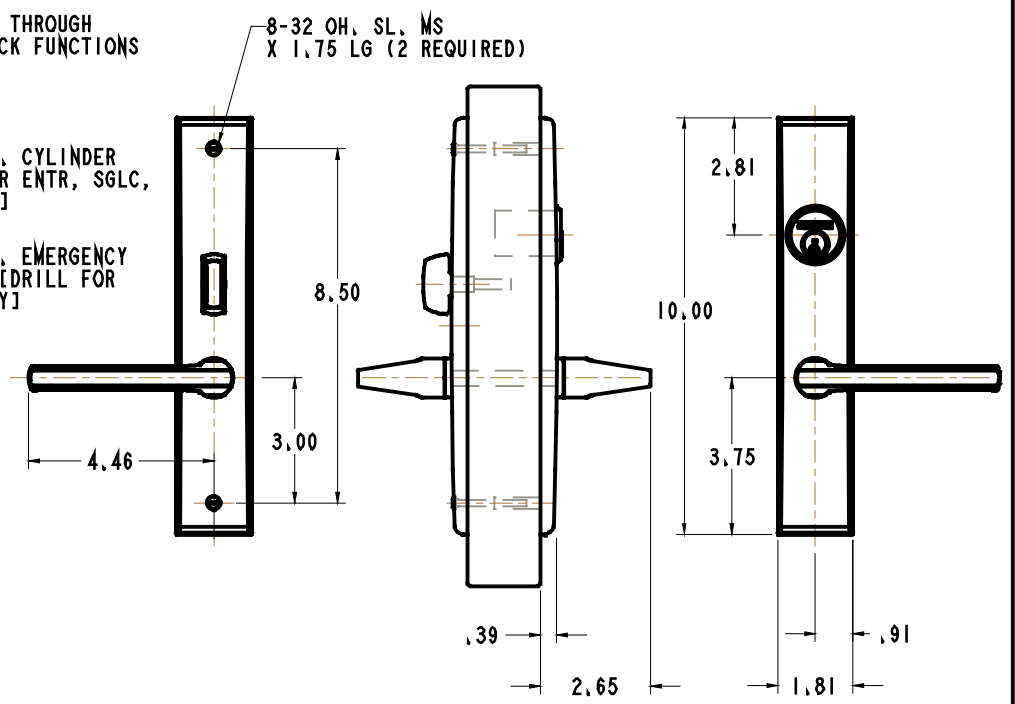


# DOOR DETAILS

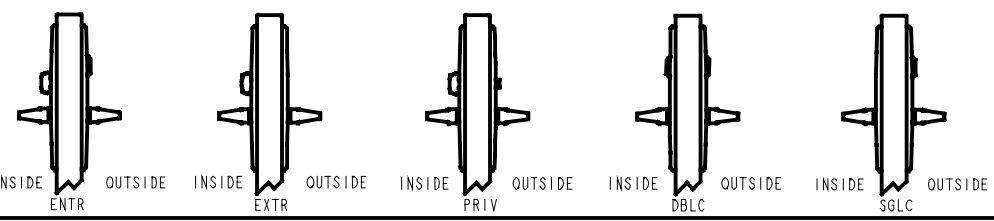


# TRIM DETAIL



- NOTE:**
- 1) FOR ADDITIONAL LOCK AND DOOR CUTOUT DIMENSIONS, SEE APPROPRIATE LOCK TEMPLATE.
  - 2) DRILL ALL HOLES HALF WAY THROUGH DOOR UNLESS OTHERWISE SPECIFIED.
  - 3) TO ENABLE EMERGENCY TRIM TO FUNCTION, THE TURN PIECE SPINDLE MUST BE CUT TO EXTEND NO FURTHER THAN HALF WAY THROUGH THE LOCK.
  - 4) INSTALLATION PLATES ARE NOT REQUIRED FOR THIS TRIM.

EFFECTIVE 10/2006



DO NOT SCALE DRAWING

	<b>BALDWIN</b> <small>HARDWARE CORPORATION</small> <small>READING, PENNSYLVANIA</small>	<b>BLACK&amp;DECKER</b> <small>COMPANY</small>
	<b>6974 LAKESHORE TRIM</b>	
TEMPLATE: NO VARIATIONS		TEMPLATE NO.
<small>© 2006 BY BALDWIN HARDWARE CORPORATION</small>		<b>1-081</b>