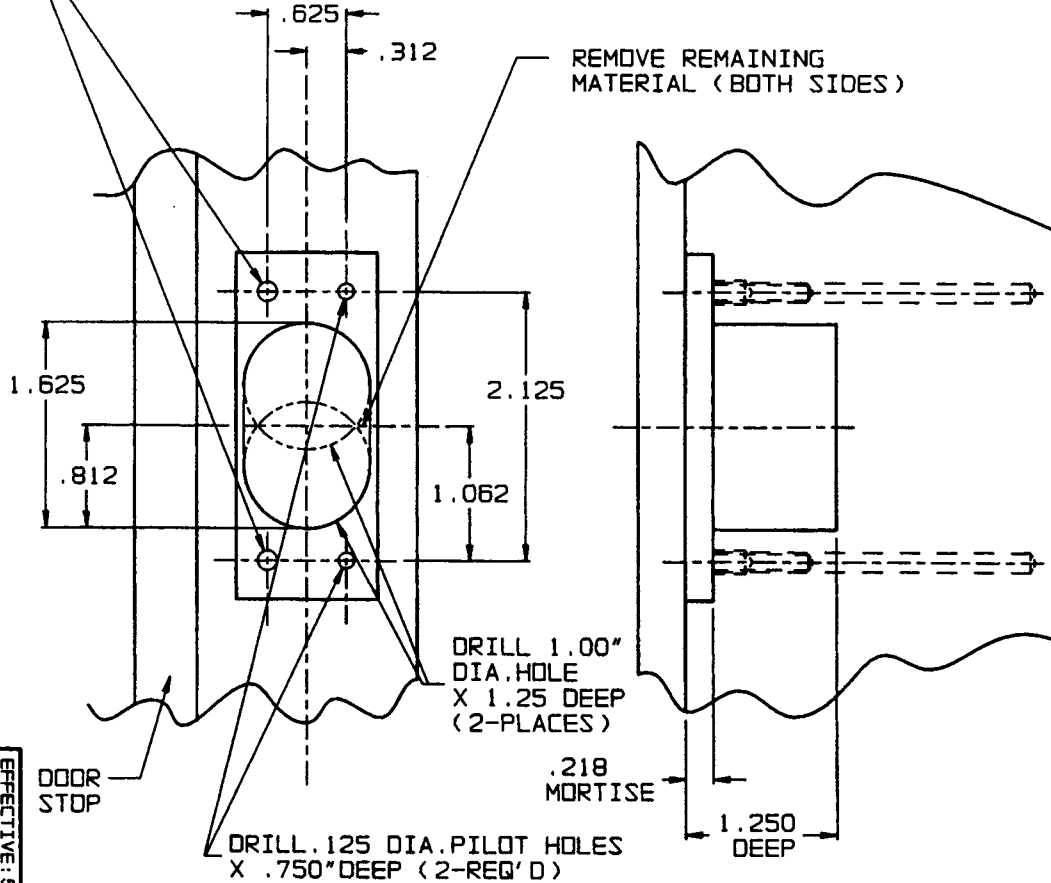


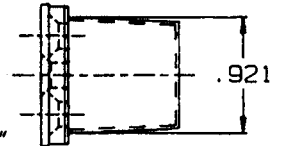
JAMB DETAIL

DRILL .156 DIA. PILOT HOLES
X 3.00" DEEP (2-REQ'D)
(MOUNTED TOWARD DOOR STOP)

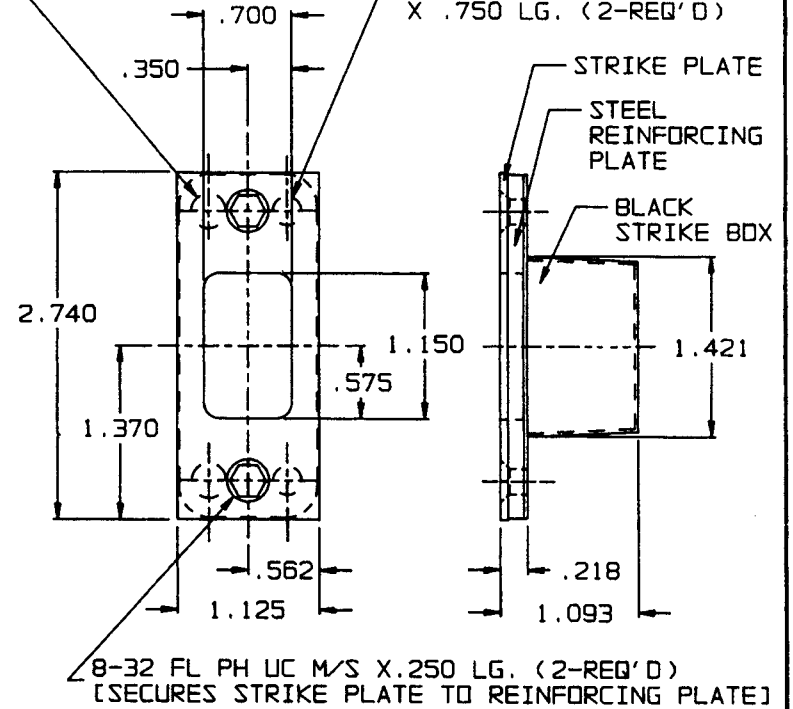


STRIKE DETAIL

NO. 10 FL PH W/S X 3.00" LG
(2-REQ'D) *MOUNTED TOWARD DOOR
STOP * [SECURES REINFORCING
PLATE AND STRIKE BOX TO "STOP"
SIDE OF JAMB]



8-32 X NO. 8 FL PH
COMBINATION SCREW
X .750 LG. (2-REQ'D)



DO NOT SCALE DRAWING

BALDWIN

8000-STR STANDARD STRIKE

TEMPLATE NO. VARIATIONS

TEMPLATE NO.

G101

EFFECTIVE: 5-1-92