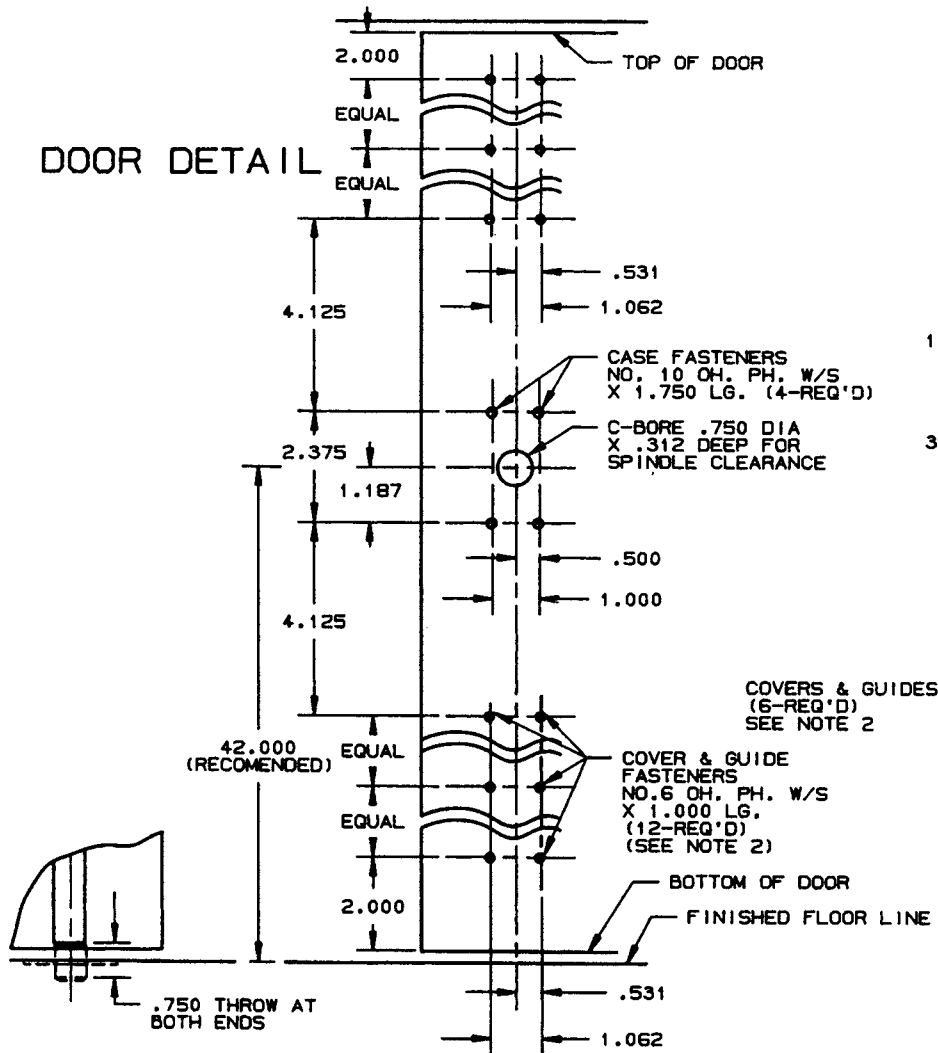
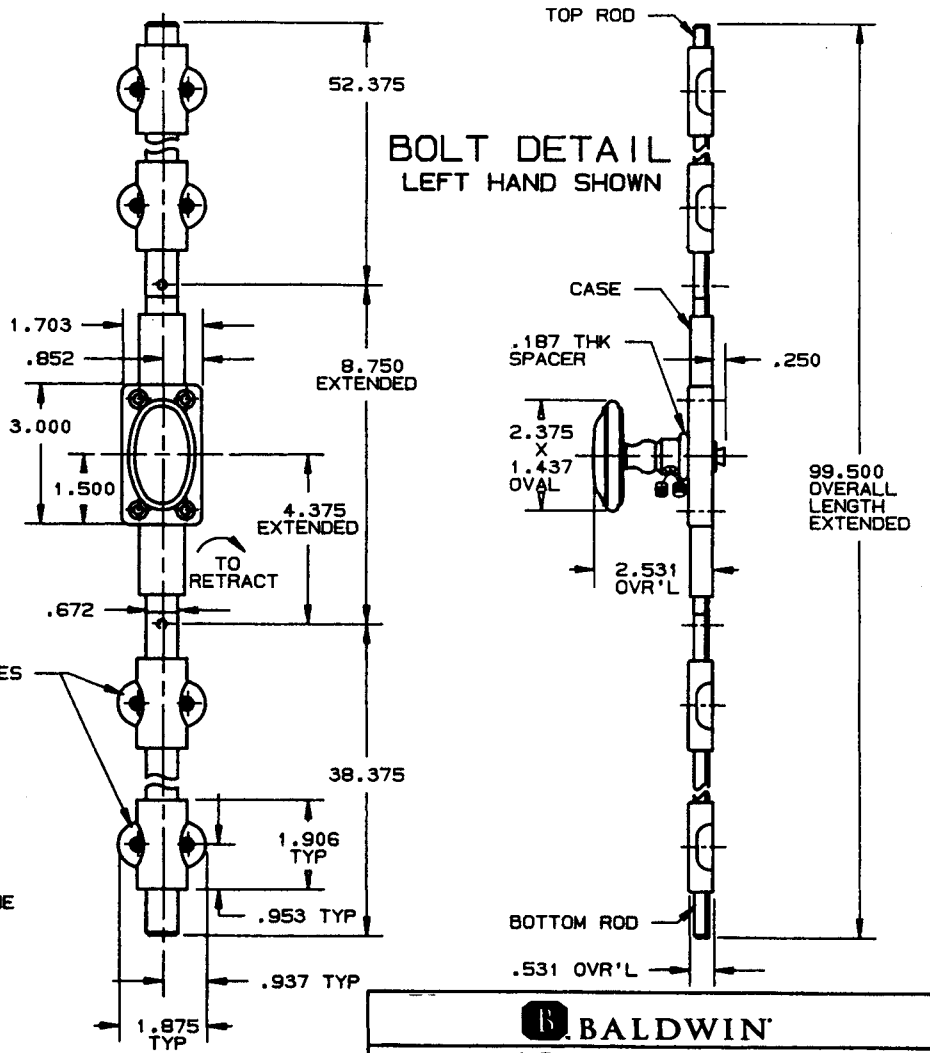


DOOR DETAIL



BOLT DETAIL LEFT HAND SHOWN



COVERS & GUIDES (6-REQ'D) SEE NOTE 2

- NOTES:
- 1.) FOR STRIKE DETAILS REFER TO TEMPLATE NUMBERS A126, A129, AND A131.
 - 2.) SUPPLIED WITH 6 DECORATIVE GUIDE COVERS. (2 NOT SHOWN)

DO NOT SCALE DRAWING

BALDWIN	
8107-^{LB}/_{RB} 8' CREMONE BOLT	
TEMPLATE NO. VARIATIONS	TEMPLATE NO.
	J107

EFFECTIVE 11-31-91 RAL