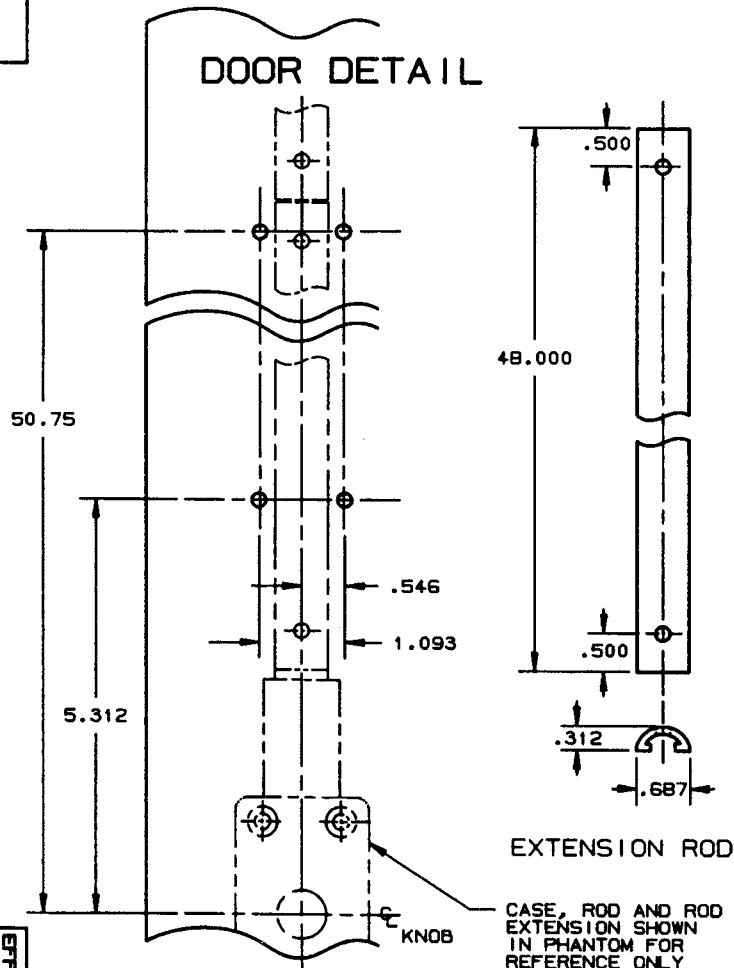


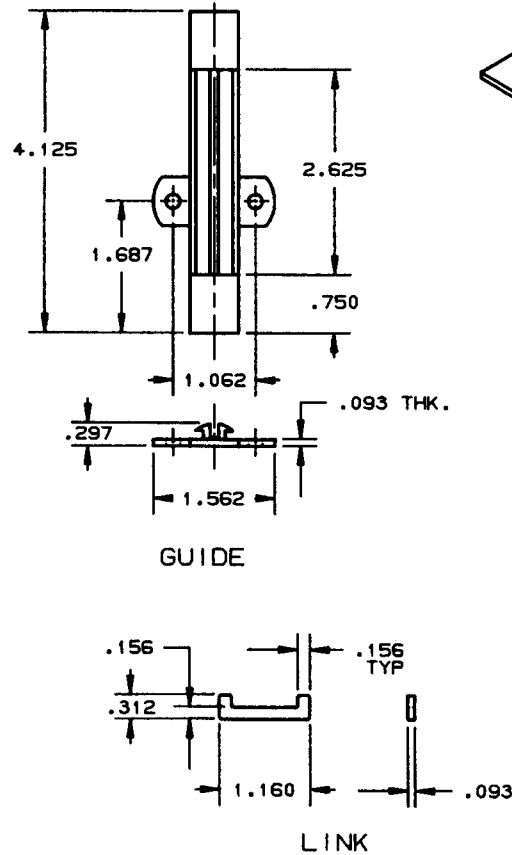
### DOOR DETAIL



EXTENSION ROD

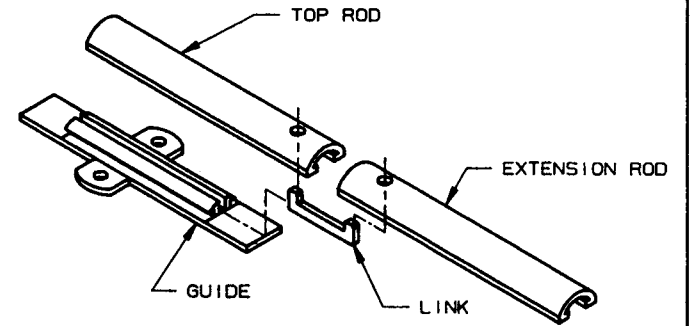
CASE, ROD AND ROD EXTENSION SHOWN IN PHANTOM FOR REFERENCE ONLY

### EXTENSION DETAIL

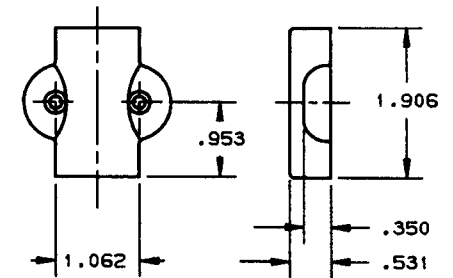


GUIDE

LINK



EXTENSION ASSEMBLY



DECORATIVE COVER

**NOTES:**

- 1.) USE WITH 8107- $\frac{L}{R}$  OR 8117- $\frac{L}{R}$  CREMONE BOLT FOR DOOR SIZES UP TO 11'.
- 2.) USE WITH 8107- $\frac{LB}{RB}$  OR 8117- $\frac{LB}{RB}$  CREMONE BOLT FOR DOOR SIZES UP TO 12'.
- 3.) SUPPLIED WITH 1 DECORATIVE GUIDE COVER.
- 4.) FOR ADDITIONAL CREMONE BOLT DETAILS SEE TEMPLATES J103 AND J104.

DO NOT SCALE DRAWING

EFFECTIVE 11-31-91

<b>BALDWIN</b>	
<b>8107-E48 EXTENSION</b>	
TEMPLATE NO. VARIATIONS J132, J133, J135	TEMPLATE NO. <b>J136</b>