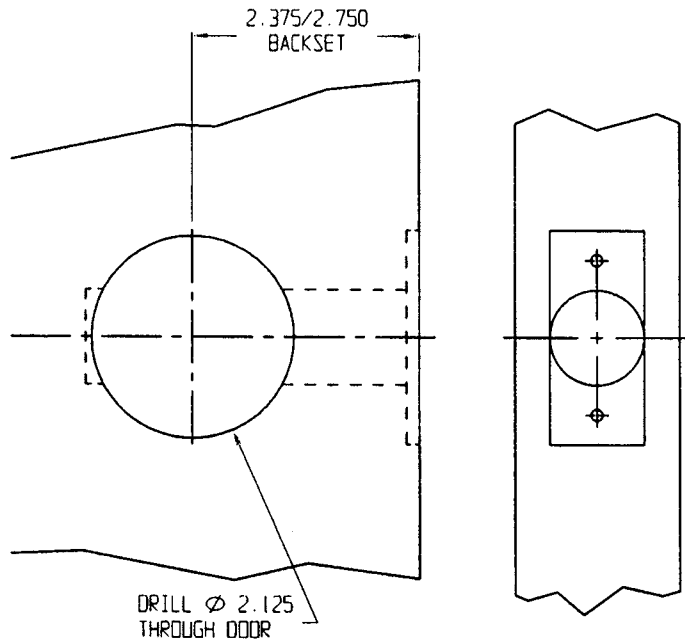
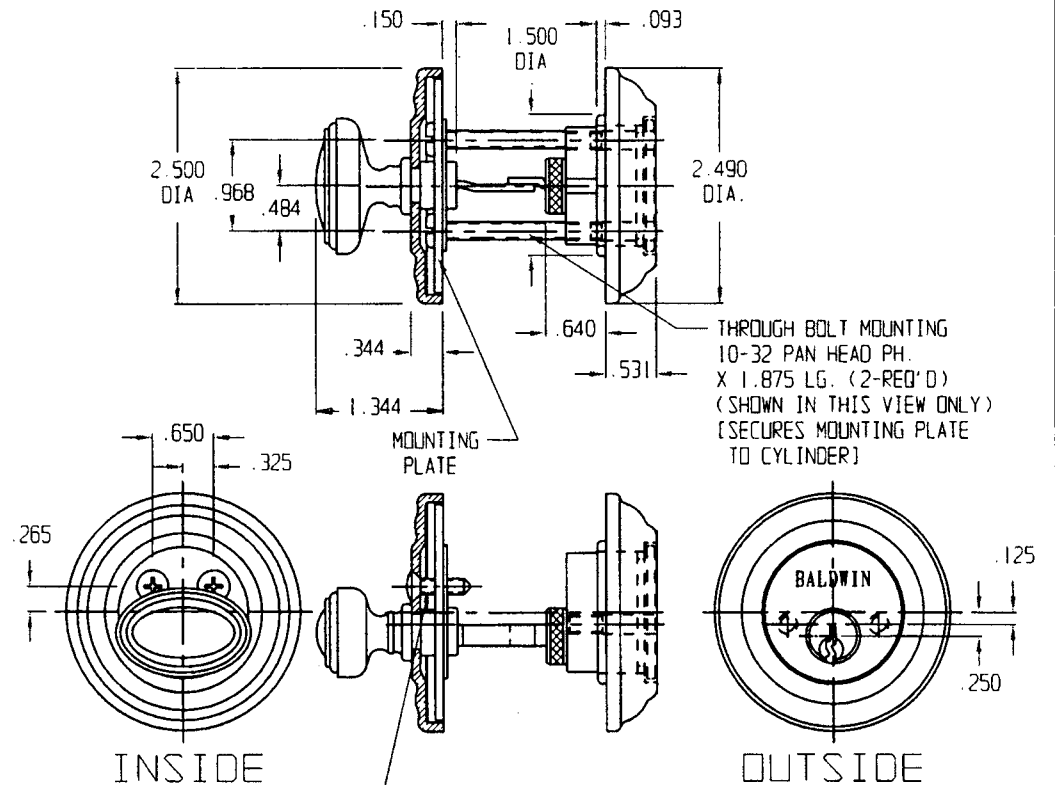


DOOR DETAIL



TRIM DETAIL



8-32 OH PH DOG POINT M/S X
.625 LG. (2-REQ'D) [SECURES
TURNPIECE ASSEMBLY TO
MOUNTING PLATE]

DO NOT SCALE DRAWING

- NOTE: 1. REFER TO TEMPLATE #G009 FOR DEADBOLT DETAILS.
2. REFER TO TEMPLATE #G101 FOR STRIKE DETAILS.
3. SCREW LENGTH AND TAILPIECE SPECIFICATIONS SHOWN ARE FOR 1-3/4" THICK DOORS. CONVERSION KITS ARE AVAILABLE FOR THICKER DOORS.

B. BALDWIN	
8231 CYLINDER/TURNPIECE	
TEMPLATE NO. VARIATIONS	TEMPLATE NO.
© 1996 BY BALDWIN HARDWARE CORPORATION	G016