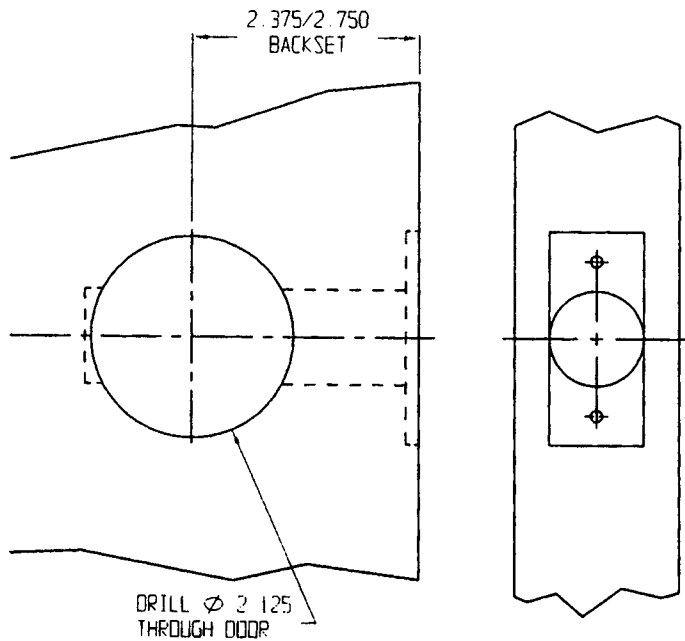
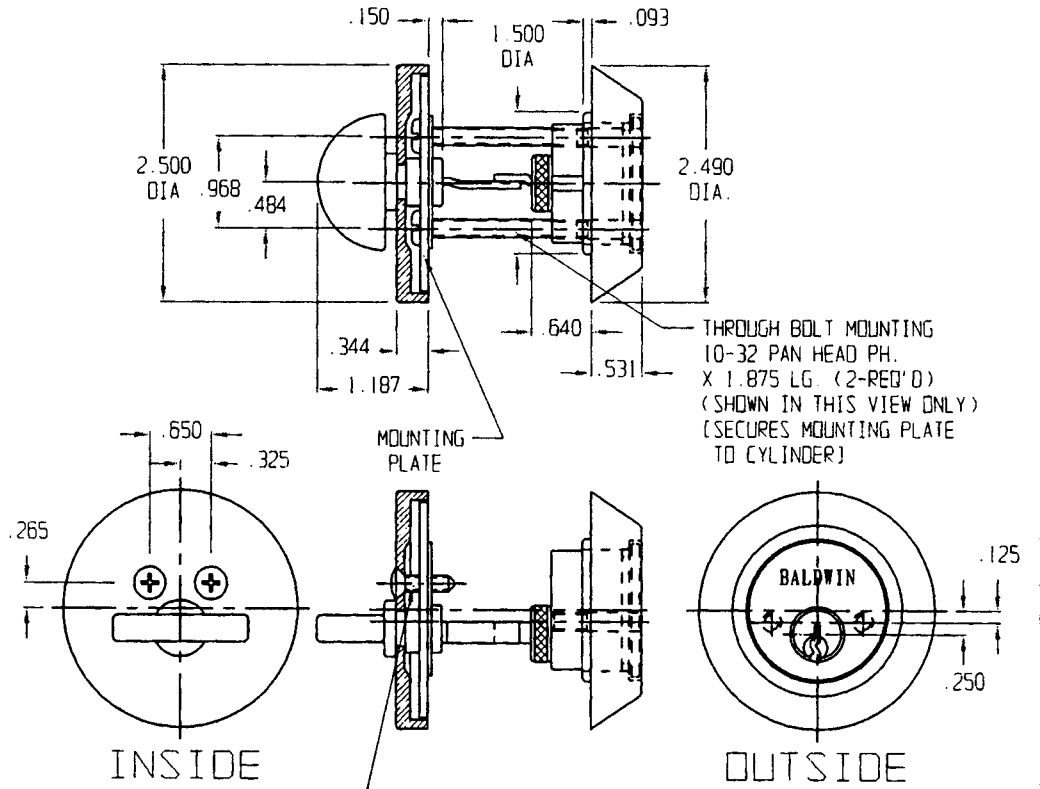


# DOOR DETAIL



# TRIM DETAIL



8-32 OH PH DOG POINT M/S X  
.625 LG. (2-RED'D) (SECURES  
TURNPIECE ASSEMBLY TO  
MOUNTING PLATE)

DO NOT SCALE DRAWING

- NOTE: 1. REFER TO TEMPLATE #G009 FOR DEADBOLT DETAILS.  
2. REFER TO TEMPLATE #G101 FOR STRIKE DETAILS.  
3. SCREW LENGTH AND TAILPIECE SPECIFICATIONS SHOWN ARE FOR 1-3/4" THICK DOORS. CONVERSION KITS ARE AVAILABLE FOR THICKER DOORS.

<b>BALDWIN</b>	
<b>8241 CYLINDER/TURNPIECE</b>	
TEMPLATE NO. VARIATIONS	TEMPLATE NO.
© 1996 BY BALDWIN HARDWARE CORPORATION	<b>G014</b>