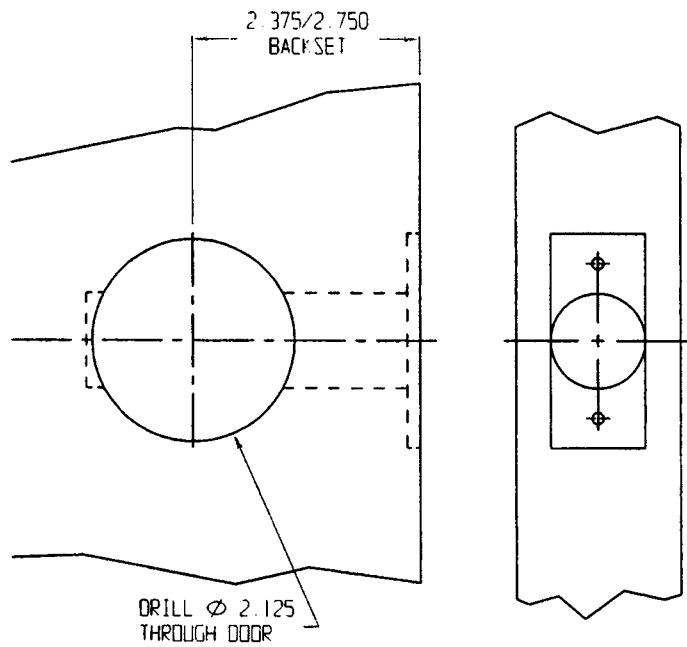
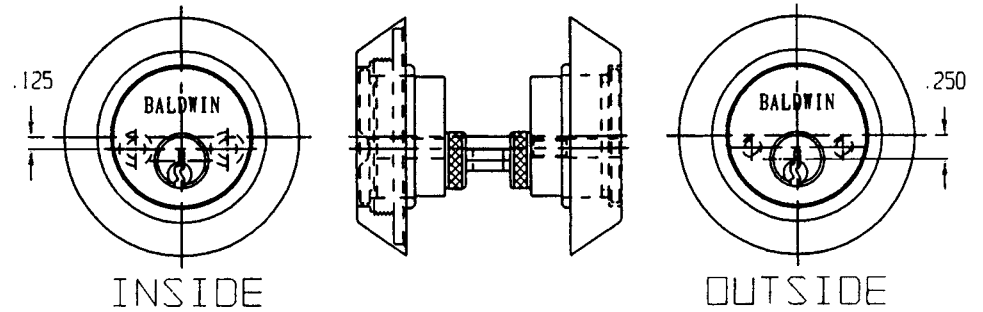
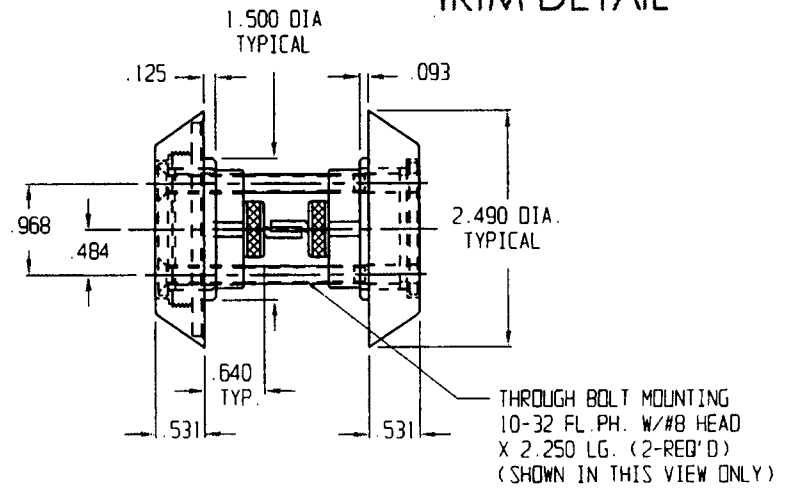


DOOR DETAIL



TRIM DETAIL



DO NOT SCALE DRAWING

- NOTE: 1. REFER TO TEMPLATE #G009 FOR DEADBOLT DETAILS.
 2. REFER TO TEMPLATE #G101 FOR STRIKE DETAILS.
 3. SCREW LENGTH AND TAILPIECE SPECIFICATIONS SHOWN ARE FOR 1-3/4" THICK DOORS. CONVERSION KITS ARE AVAILABLE FOR THICKER DOORS.

BALDWIN	
8242 DOUBLE CYLINDER TRIM	
TEMPLATE NO. VARIATIONS	TEMPLATE NO.
© 1996 BY BALDWIN HARDWARE CORPORATION	
G010	

EFFECTIVE: 2-3-97