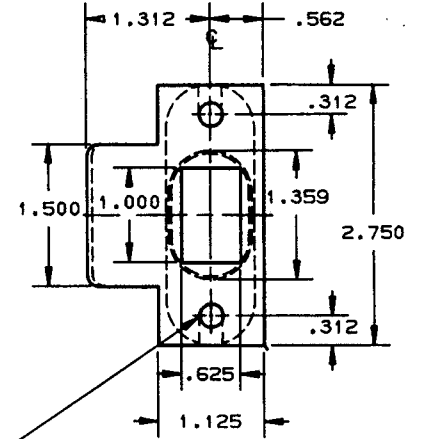
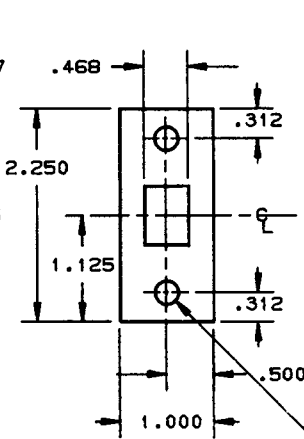
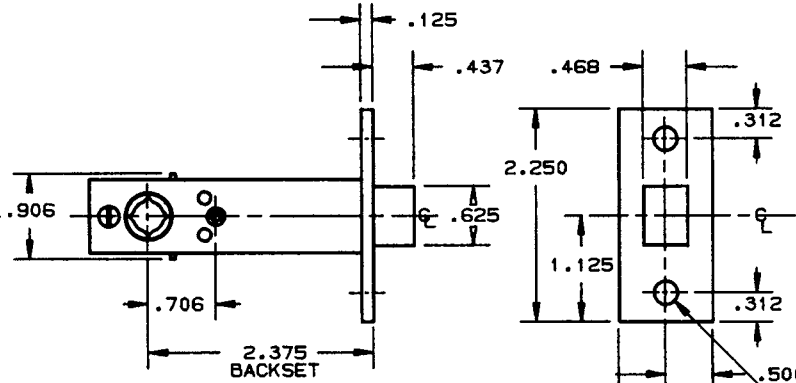
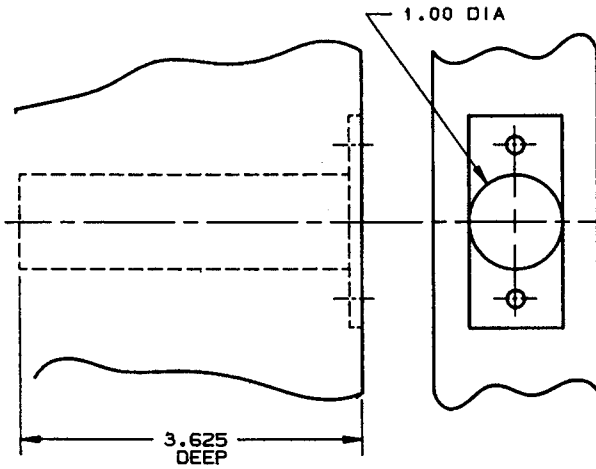
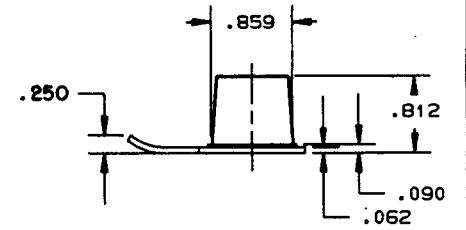
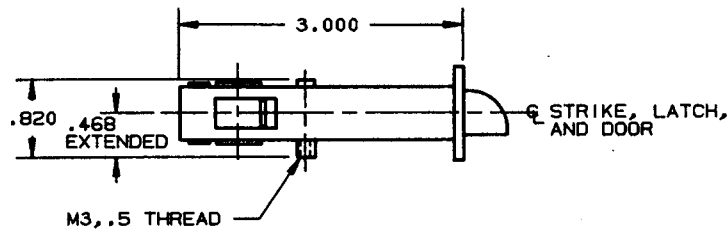


DOOR DETAIL

LOCK DETAIL



NO. 8 FL. PH. WOOD SCREW X .750 LONG (4-REQ'D)

EFFECTIVE: 11-1-89 RAS

NOTE:

- SEE SPECIFIC TRIM TEMPLATE FOR ADDITIONAL DOOR CUTOUT DETAILS.

DO NOT SCALE DRAWING

BALDWIN	
8510-P PRIVACY LATCH	
TEMPLATE NO. VARIATIONS	TEMPLATE NO.
	F260