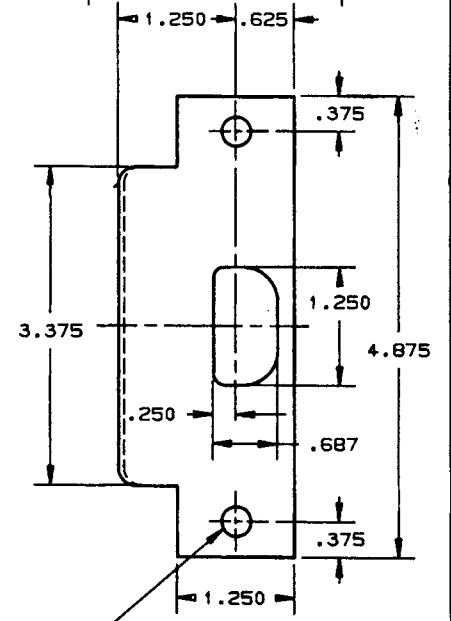
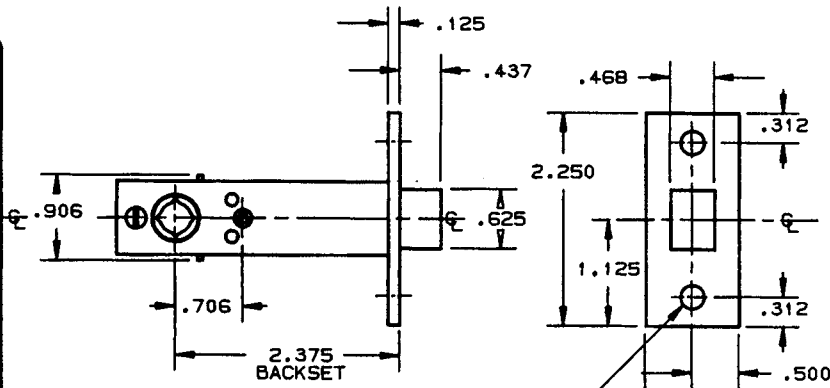
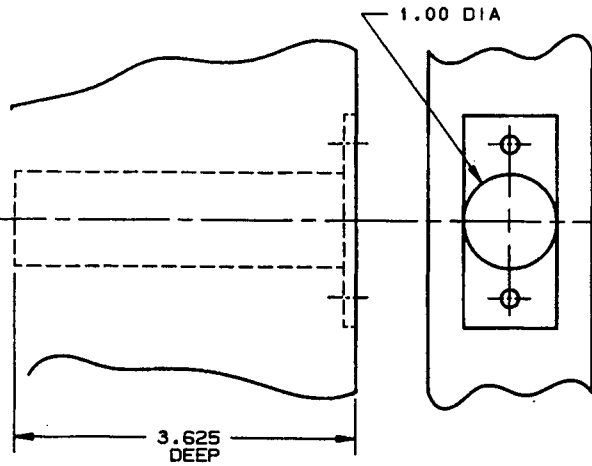
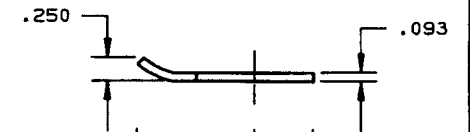
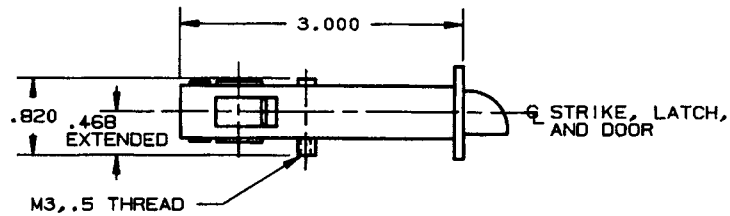


# DOOR DETAIL

# LOCK DETAIL



EFFECTIVE 11-1-89 R.M.4

NOTE:

- 1.) SEE SPECIFIC TRIM TEMPLATE FOR ADDITIONAL DOOR CUTOUT DETAILS.

DO NOT SCALE DRAWING

<b>BALDWIN</b>	
<b>8510-PASA PRIV. LATCH</b>	
TEMPLATE NO. VARIATIONS	TEMPLATE NO.
	<b>F261</b>