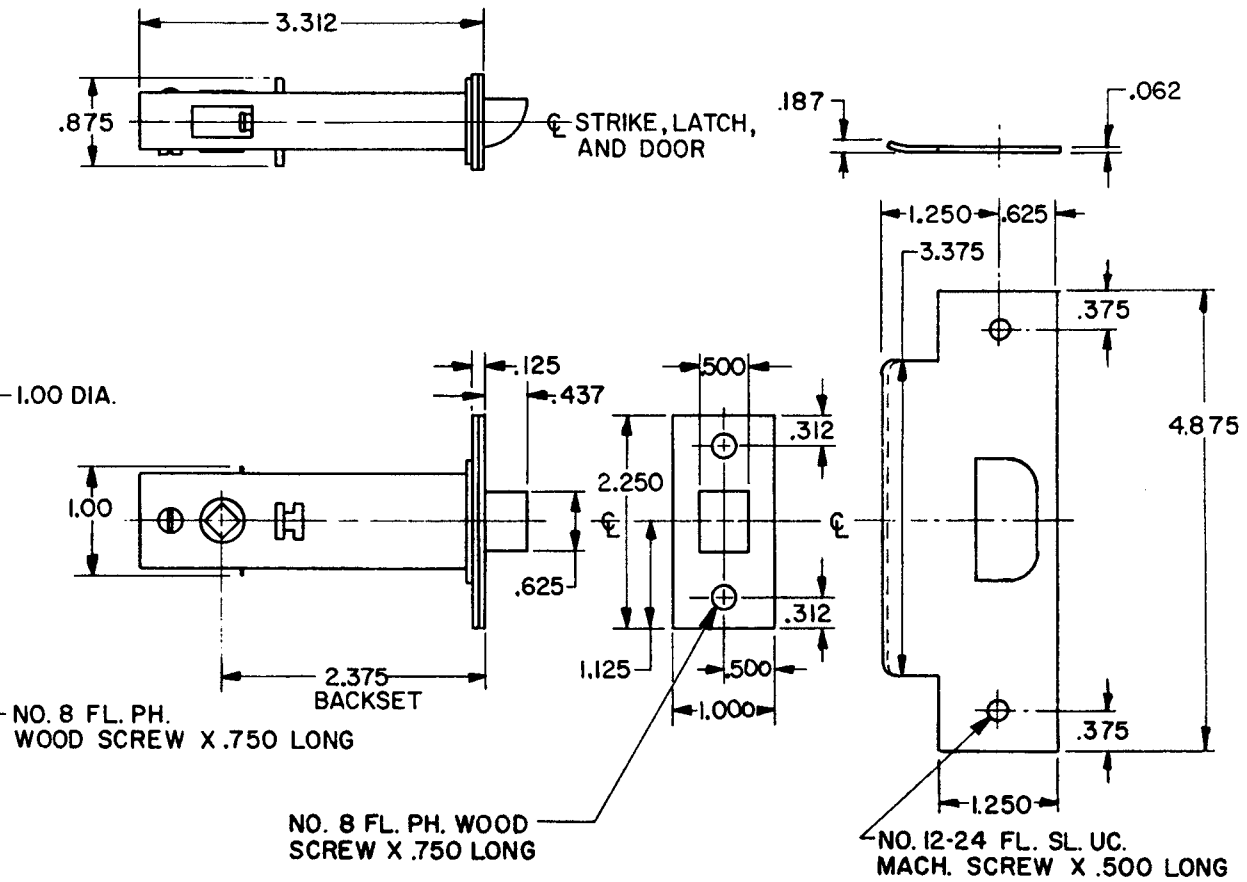
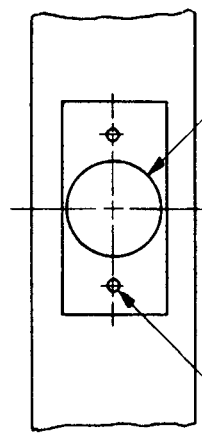
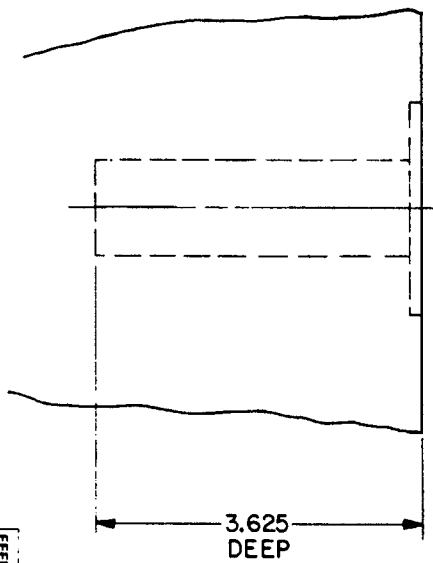


DOOR DETAIL

LOCK DETAIL



NOTE:
1.) SEE SPECIFIC TRIM TEMPLATE FOR ADDITIONAL DOOR CUTOUT DETAILS.

DO NOT SCALE DRAWING

B. BALDWIN	
8513- ASA TUBULAR LATCH	
TEMPLATE NO. VARIATIONS	TEMPLATE NO.
F160, F161, F162, F163, F164, F166, F167	F165

EFFECTIVE: 9-1-86