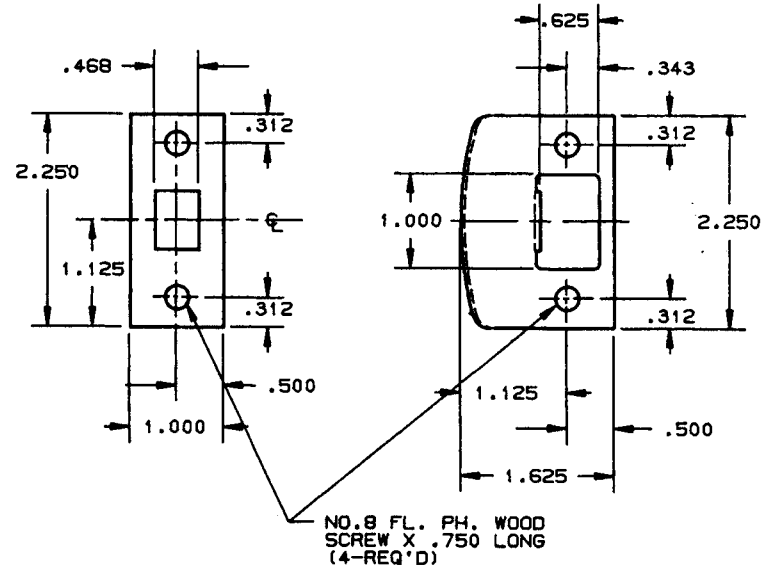
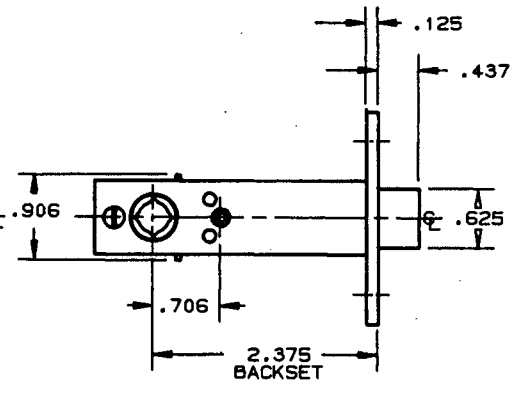
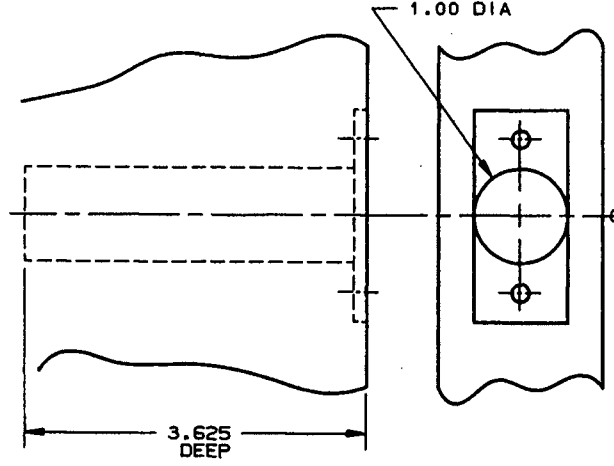
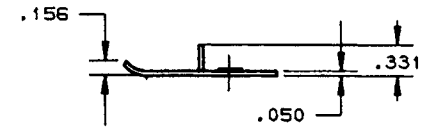
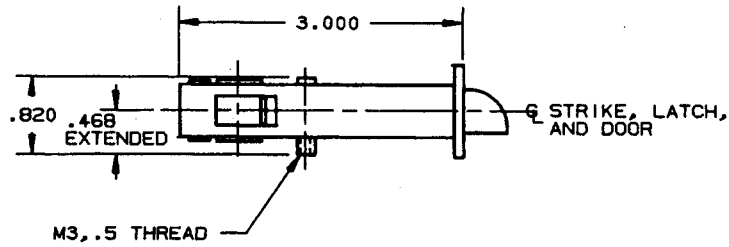


# DOOR DETAIL

# LOCK DETAIL



EFFECTIVE 11-1-89 RAL

NOTE:  
 1.) SEE SPECIFIC TRIM TEMPLATE FOR ADDITIONAL DOOR CUTOUT DETAILS.

DO NOT SCALE DRAWING

<b>BALDWIN</b>	
<b>8513-PFLS PRIV. LATCH</b>	
TEMPLATE NO. VARIATIONS	TEMPLATE NO.
	<b>F266</b>