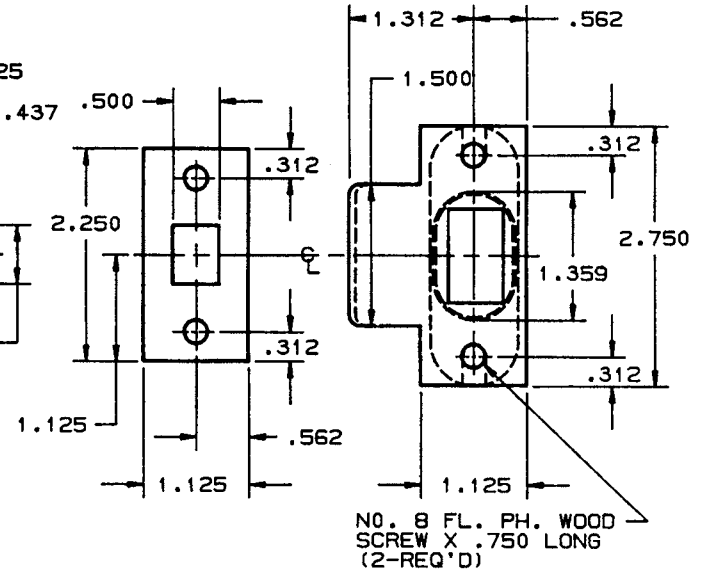
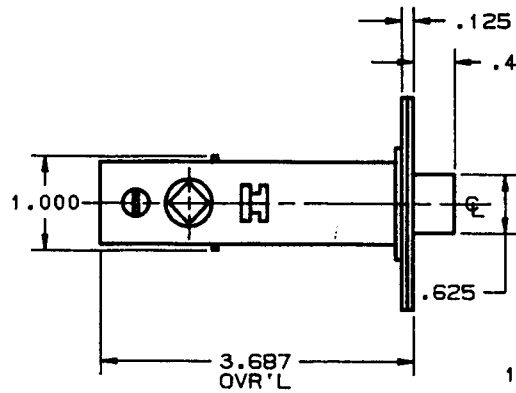
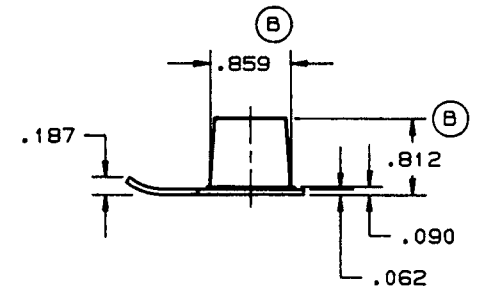
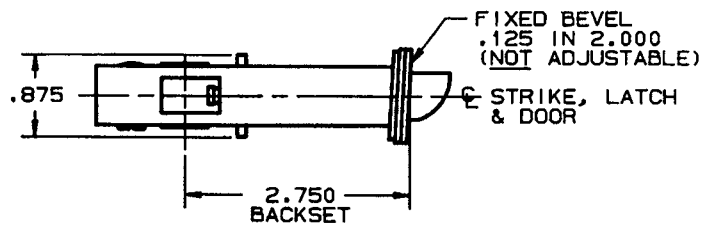
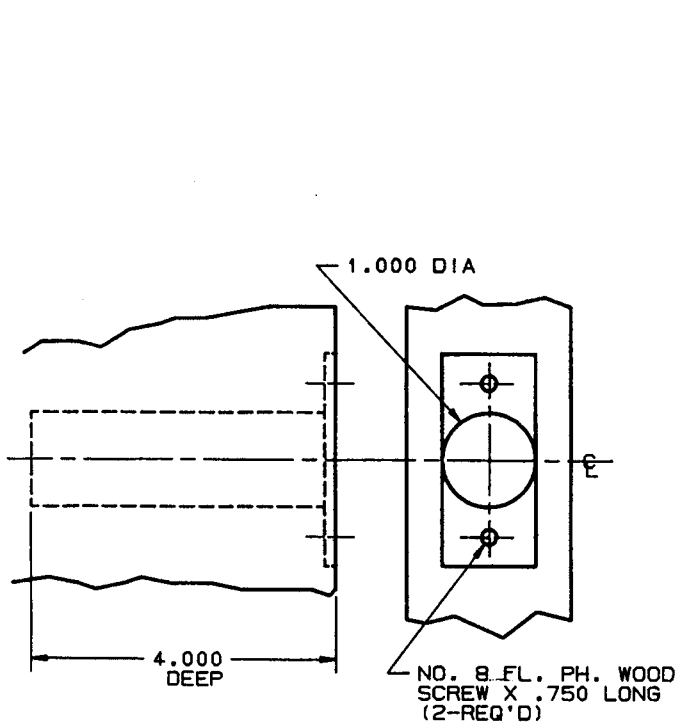


DOOR DETAIL

LOCK DETAIL



NOTES

- 1.) SEE SPECIFIC TRIM TEMPLATE FOR ADDITIONAL DOOR CUTOUT DETAILS.
- 2.) FOR USE WITH BEVELED DOORS ONLY.
- 3.) 8525 IS MADE WITH A HEAVY DUTY SPRING DESIGNED FOR USE WITH LEVER HANDLES.
- 4.) LATCH IS NOT HANDED.

BALDWIN	
8522 AND 8525 TUBULAR LATCH	
TEMPLATE NO. VARIATIONS	TEMPLATE NO.
	F173 (B)

DO NOT SCALE DRAWING

©1988 by Baldwin Hardware Corporation