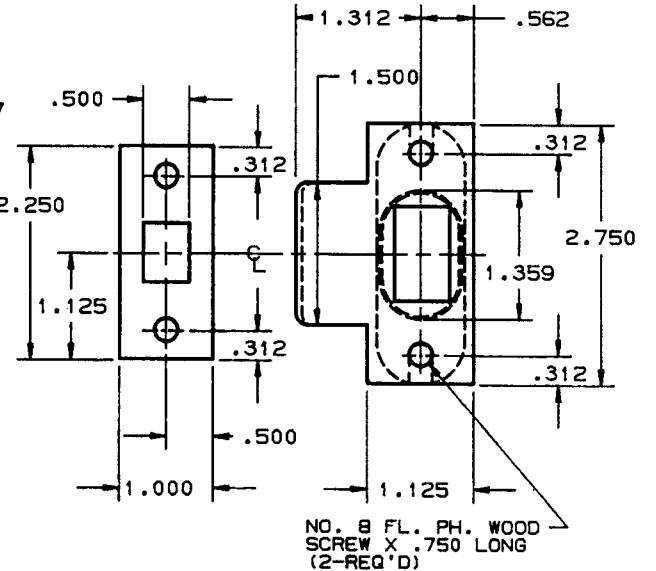
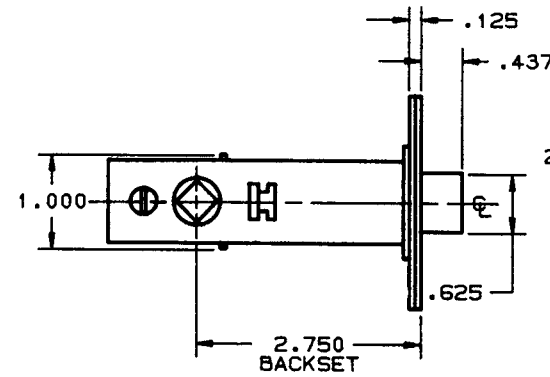
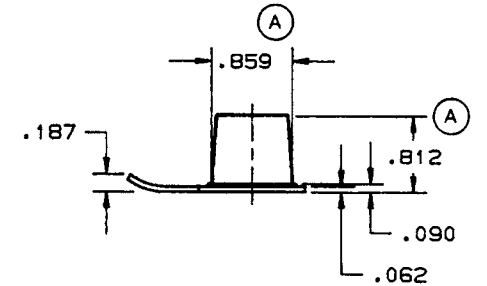
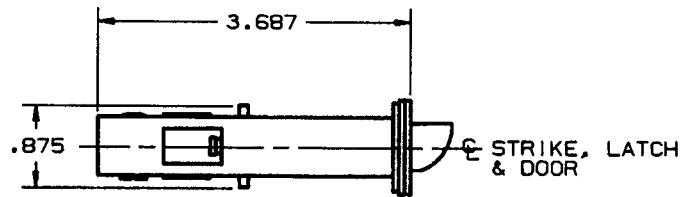
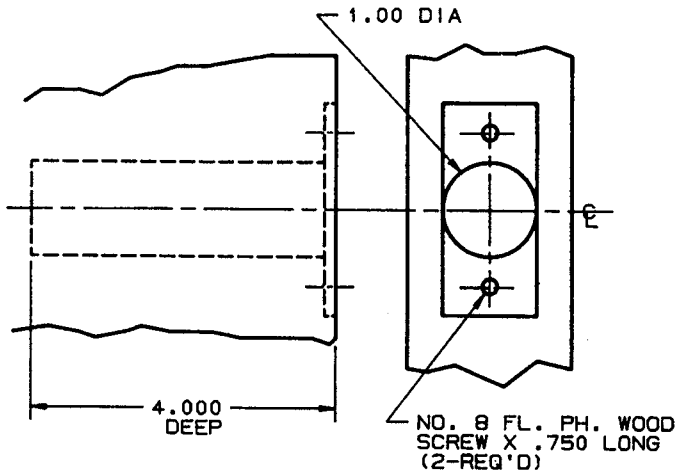


DOOR DETAIL

LOCK DETAIL



NOTE:
1. SEE SPECIFIC TRIM TEMPLATE FOR ADDITIONAL DOOR CUTOUT DETAILS.

BALDWIN	
8523 TUBULAR LATCH	
TEMPLATE NO. VARIATIONS	TEMPLATE NO.
	F 174 (A)

DO NOT SCALE DRAWING

©1988 by Baldwin Hardware Corporation

EFFECTIVE: 5-1-88 R. Ad-3